



# HVPI-3-XEC Series

## 3.5 Digit LCD Panel Meter



### 3½ Digit LCD with Loop Powered Board

#### Specifications

##### DISPLAY

Digits:	3 ½ digits (±1999 counts)
Type:	.45" (11.4 mm) 7 segment high contrast LCD automatic, "-" displayed
Polarity:	°F, °C, PSI, %, user-selectable
Annunciators:	°F, °C, PSI, %, user-selectable
Decimal Points:	3 position, user-selectable
Overrange:	three lower order digits blank for inputs >1999 & < -1999

##### INPUTS

Voltage Ranges:	5 V, 10 V adjustable, 200mV fixed
Configuration:	single ended
Impedance:	390KΩ

##### PERFORMANCE

Accuracy:	±(0.05% of full scale + 1 count)
Conversion Rate:	3 per second
Normal Mode Rejection:	>30 dB @ 60 Hz
Warmup:	10 minutes typical
Temperature Coeff.:	± 100 ppm per °C typical
Adjustments:	25 turn potentiometers
Offset Range:	-1999 to +1999
Gain Range:	1 to 1999 (custom ranges available)

##### ENVIRONMENT

Operating Range:	10 to 50 °C
Storage Range:	-10 to 75 °C

##### POWER SUPPLY

12/24 DC

##### MOUNTING

snap-in panel mount or clamp and gasket (included)

##### CONNECTION

screw terminals

#### Features

- Low-cost, high-performance replacement for many OEM DPMs.
- Optional RED, GREEN, AMBER or POS GREEN backlit LCD.
- Snap-in bezel mount eliminates mounting hardware.
- Resistant to RF and EMI.
- 3½ digits with high-contrast LCD.
- 4-20 mA loop powered input.
- User-selectable, displayed engineering units.

#### Ordering Info

<b>Part Number</b>	<b>Backlight Color</b>	<b>Meter Input</b>	<b>Meter Power</b>
HVPI-3-XEC .....	NO Backlight .....	Voltage.....	12/24VDC
HVPI-3A-XEC.....	AMBER .....	Voltage.....	12/24VDC
HVPI-3G-XEC .....	GREEN .....	Voltage.....	12/24VDC
HVPI-3R-XEC.....	RED .....	Voltage.....	12/24VDC
HVPI-3GP-XEC .....	POS GREEN .....	Voltage.....	12/24VDC

#### Accessories

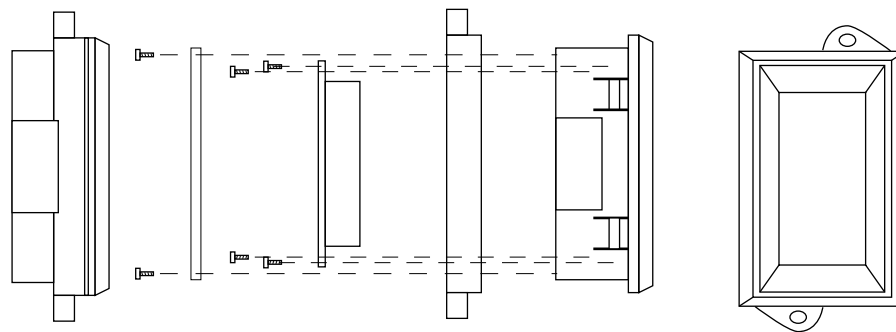
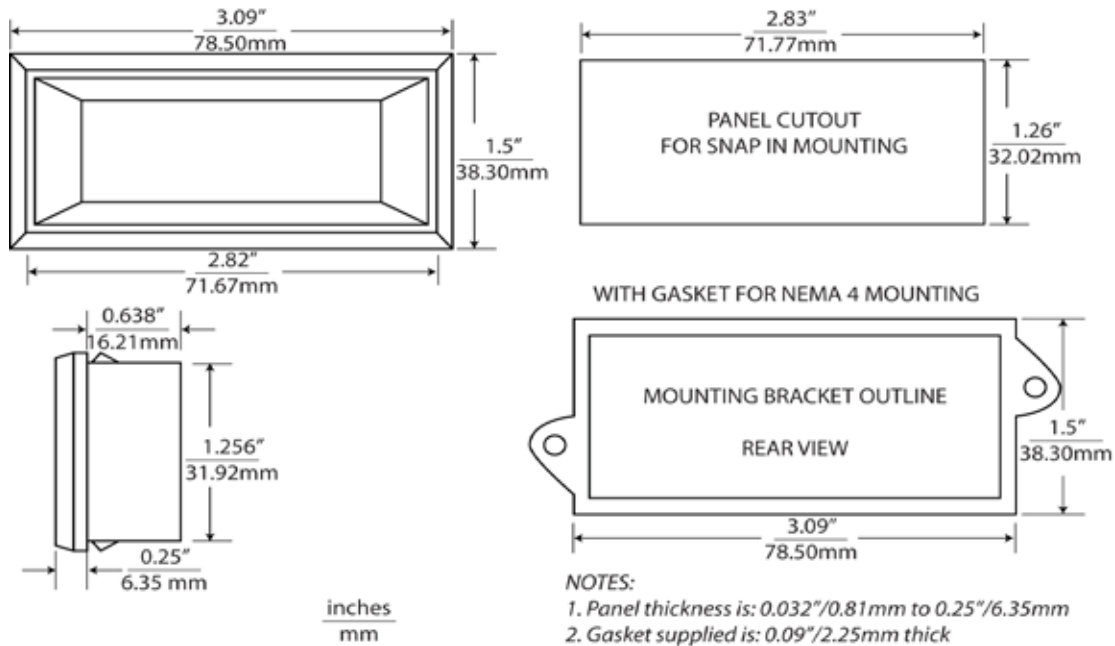
PW2-12	Regulated 120V AC to 12V DC Power Supply
PW2-24	Regulated 120V AC to 24V DC Power Supply
PW1.0	24V AC to adjustable DC output
PW1.5	24V AC to adjustable DC output
CVC	Calibrator



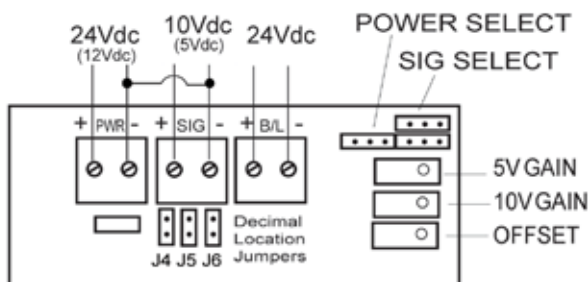
# HVPI-3-XEC Series

## 3.5 Digit LCD Panel Meter

### Dimensions



### Wiring



#### Decimal Point Selection

1. Locate jumpers J4 through J6 in the middle of the circuit board unit.

2. Jumper the appropriate decimal location as follows:

- J4 - 000.0
- J5 - 00.00
- J6 - 0.000
- None - 0000

