



Models: 17/3MM & 552MM

Analog Panel Meters



2.5" 17/3MM DC Moving Coil

2.5" 552MM AC Repulsion

Equivalent to
Yokogawa 2.5" Tough Meters
(Model: 270-2, 271-2)

Features

- Industrial Ruggedized Series was designed to meet industrial requirements where rugged metal cases with thermoplastic viewing area provide long service.
- High current ammeter ranges with external shunt are available, as are special or non-standard ranges.
- Dustproof and waterproof, meeting NEMA4 and ANSI C39.1 specifications and performance standards.
- Special Dials are available with the following options: Additional Colors, Scales, Special Legends, Logo and Mirrors.
- Available with or without illumination.

DC Ranges: Microammeters, Milliammeters, Ammeters, Millivoltmeters, Voltmeters.

AC Ranges: Milliammeters, Ammeters, Voltmeters, Frequency meters.

Specifications

Overload:

Voltmeters (AC and DC): 50% momentary 20% sustained.

Ammeters (AC and DC): momentary 10 times the rated current for 10 consecutive intervals of .5 seconds with a 1 minute interval between successive applications; 20% for six hours.

Frequency Meters:

Range: 45-55Hz, 55-65Hz, 45-65Hz.

Input: 120VAC, 240VAC.

Accuracy:

±2% full scale value.

Resistance:

±20%.

Dials:

90 and 100 degree arc, black lettering on white background.

Pointer:

Knife Edge.

Movement:

Pivot and Jewel, Iron Vane or Taut Band.

Mounting:

Surface mount.

Case:

Brass with Sealing Gaskets.

Operating Temperature:

-50°F to 150°F (-45.5°C to 65.5°C).

Relative Humidity:

20% to 80%RH (Nominal Use).

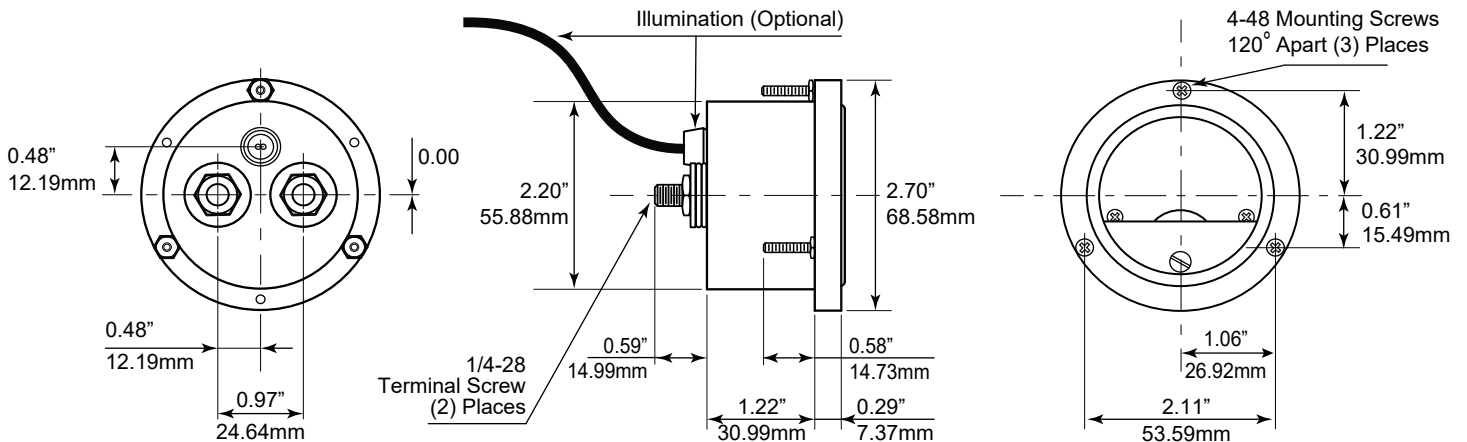
Meter Approvals:

ANSI C39.1, NEMA4, RoHS, REACH.

Origin:

Made in the USA.

Dimensions



Hoyt Electrical Instrument Works, Inc.

23 Meter Street
Penacook, NH 03303

Phone: (800) 258-3652

Fax: (603) 753-9592

Email: sales@hoytmeter.com

www.hoytmeter.com