



# Models: 17/3 & 552

## Industrial Panel Meters



**2.5" 17/3 DC Moving Coil**

**2.5" 552 AC Repulsion**

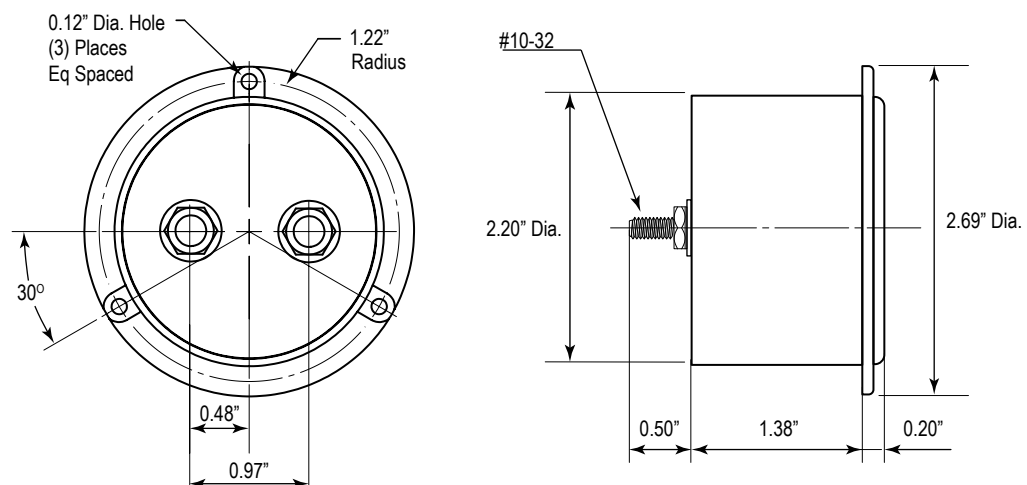
### Features

- Industrial Series was designed to meet industrial requirements and for other applications where cases with glass fronts provide long service under adverse conditions.
- Round models sizes in 2-1/2" are produced in either the  $\pm 2\%$  of full scale AC repulsion or DC Moving Coil version.
- High current ammeter ranges with external shunt are available, as are special or non-standard ranges.
- Special dials are available with the following options: additional colors, scales, special legends, logo and mirrors. Available with or without illumination.
- **DC Ranges:** Microammeter, Milliammeter, Ammeter, Millivoltmeter, Voltmeters
- **AC Ranges:** Milliammeters Ammeter, Voltmeter, Frequency Meter.

### Specifications

Overload:	Voltmeters (AC and DC): 50% momentary 20% sustained. Ammeters (AC and DC) momentary: 10 times the rated current for 10 consecutive intervals of .5 seconds with a 1 minute interval between successive applications; 20% for six hours.
Accuracy:	$\pm 2\%$ full scale value.
Resistance:	$\pm 10\%$ .
Dials:	90 or 100 degree arc, black lettering on white background.
Pointer:	Knife Edge.
Movement:	Pivot and Jewel, Iron Vane or Taut Band.
Mounting:	Surface Mount.
Case:	ABS plastic.
Operating Temp.:	32°F to 104°F (0°C to 40°C).
Storage Temp.:	-4°F to 131°F (-20°C to 55°C).
Meter Approvals:	ANSI C39.1, RoHS, REACH.
Origin:	Made in USA.

### Dimensions



Recommended Panel  
Cut-Out: 2.81 DIA.

**Hoyt Electrical Instrument Works, Inc.**

23 Meter Street  
Penacook, NH 03303

Phone: (800) 258-3652  
Fax: (603) 753-9592  
Email: [sales@hoytmeter.com](mailto:sales@hoytmeter.com)

[www.hoytmeter.com](http://www.hoytmeter.com)