

6" **2060** DC Moving Coil
6" **2061** AC Repulsion

Features

- These attractively styled 2000 Series meters are produced in five sizes from 1-1/2" to 6".
- All models have long, flat arc scales and knife edge pointers for excellent readability.
- Most 1-1/2" to 6" meters are supplied with the self shielded Accuring movements.
- The standard AC repulsion movement is also available in 2-1/2" to 6" meter cases.
- Features for the 2000 Series include matching AC and DC models, bezel or surface mounting, and choice of standard colors on the lower front cover at additional cost.
- Special Dials are available with the following options: additional Colors, Scales, Special Legends, Logo and Mirrors.

DC Ranges: Microammeter, Milliammeter, Ammeter, Millivoltmeter, Voltmeter.

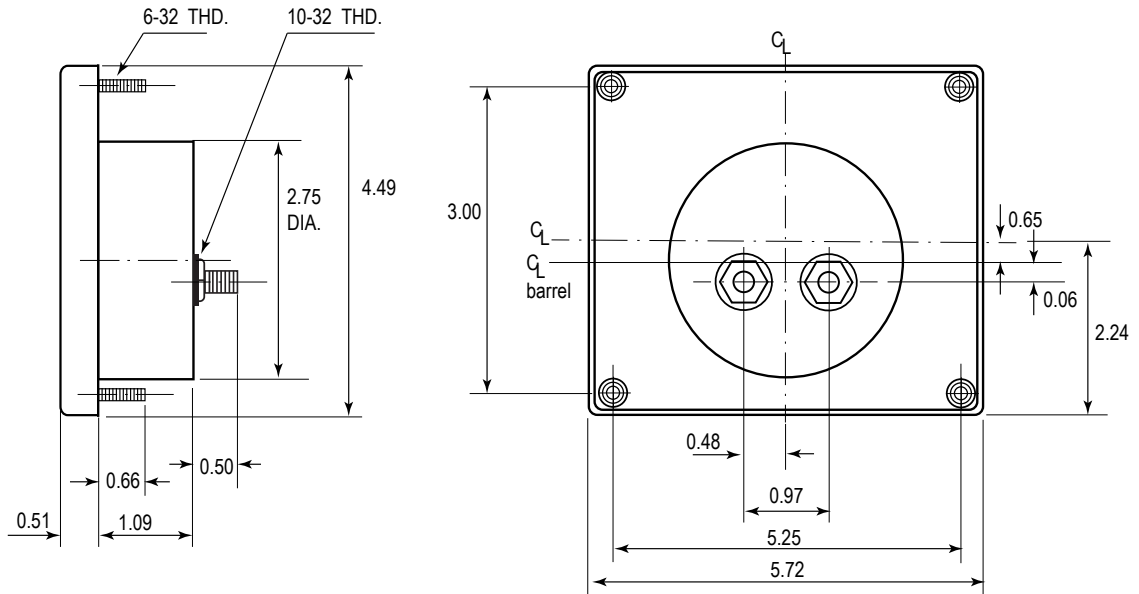
AC Ranges: Milliammeter, Ammeter, Voltmeter.

Specifications

| | |
|------------------|--|
| Overload: | Voltmeters (AC and DC): 50% momentary 20% sustained. Ammeters (AC and DC) momentary: 10 times the rated current for 10 consecutive intervals of .5 seconds with a 1 minute interval between successive applications; 20% for six hours. |
| Accuracy: | ±2% full scale value. |
| Resistance: | ±15%. |
| Dials: | 100 or 90 degree arc, black lettering on white background. Special dial colors and artwork are available as an option. |
| Pointer: | Knife Edge |
| Movement: | Pivot and Jewel, AC Iron Vane or Taut Band. |
| Mounting: | Specify (S) Surface mount or (B) Bezel mount. |
| Case: | Clear acrylic case. |
| Operating Temp.: | 32°F to 104°F (0°C to 40°C). |
| Storage Temp.: | -4°F to 131°F (-20°C to 55°C). |
| Meter Approvals: | ANSI C39.1, RoHS, REACH. |
| Origin: | Made in USA. |



Dimensions



Panel Cutout for Barrel

