



**3.375" 250-375 DC Moving Coil**

### Features

250 Degree meters utilize a highly damped, spring loaded pivot and jewel movement; mechanically interlocked, negating the use of adhesives and develops a very high torque.  
Electrical damping to control overshoot and oscillation.  
Available with or without illumination.  
Special ranges and resistances to match your equipment design.

Special Dials are available with the following options: Additional Colors, Scales, Special Legends, Logo and Mirrors.

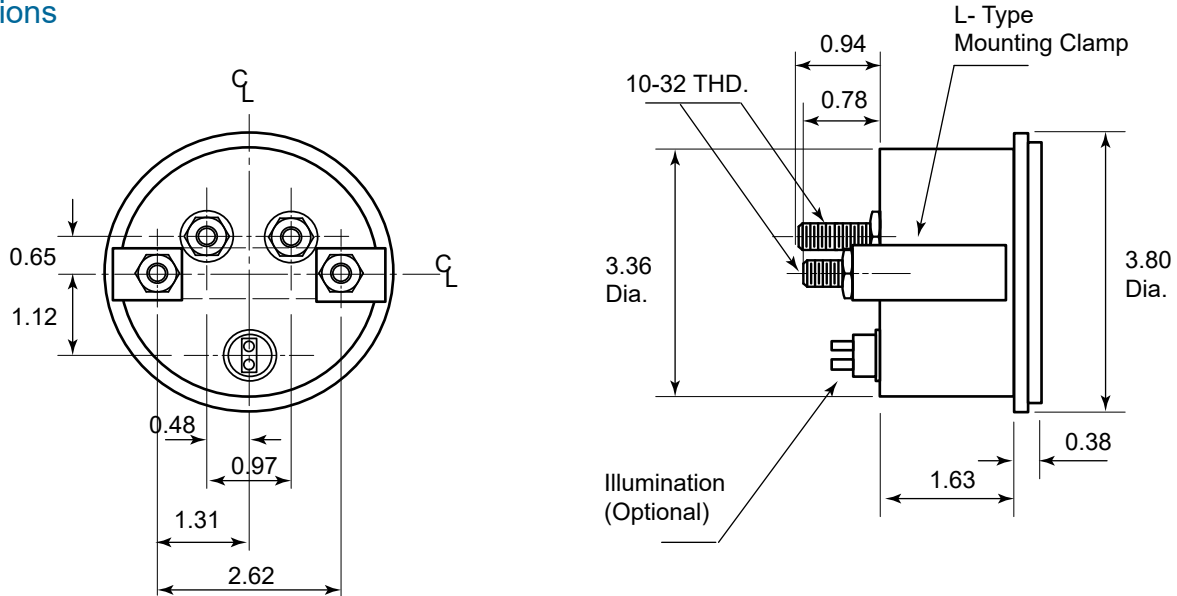
**DC Ranges:** Microammeters, Milliammeters, Ammeters, Millivoltmeters, Voltmeters, Pyrometers and Custom gauges.

### Specifications

Overload:	Voltmeters (AC and DC): 50% momentary 20% sustained. Ammeters (AC and DC) momentary: 10 times the rated current for 10 consecutive intervals of .5 seconds with a 1 minute interval between successive applications 20% for six hours.
Accuracy:	±2% full scale value.
Resistance:	±10%.
Dials:	250 degree pointer deflection DC.
Pointer:	Airplane.
Movement:	Pivot and Jewel.
Mounting:	Surface mount.
Case:	Brass case. Available in Chrome or Black Bezels.
Operating Temperature:	32°F to 104°F (0°C to 40°C).
Storage Temperature:	-4°F to 131°F (-20°C to 55°C).
Meter Approvals:	ANSI C39.1, RoHS, REACH.
Origin:	Made in USA.



### Dimensions



### Bezels Available



Type-P  
Standard Top (Black)

### Applications

Diesel and Gas Instrumentations.  
Emergency Vehicles.  
Pyrometers.  
Pressure and Flow.  
Marine Instrumentation.  
Speed (RPM).

### How To Order

1. Use the appropriate ranges from the price sheet, for example select part number 250-30 for 3" meters.
  2. Decide which bezel option is required and add to - \_\_\_\_\_.
  3. Use "I" for Illuminated and "N" for Non-illuminated.
  4. Add range and scale from price list as examples below.
- Example: 250-30, CHROME, 4-20 MADC SPECIAL dial D-1292325