



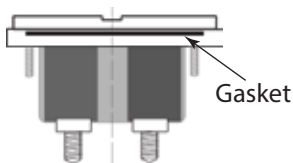
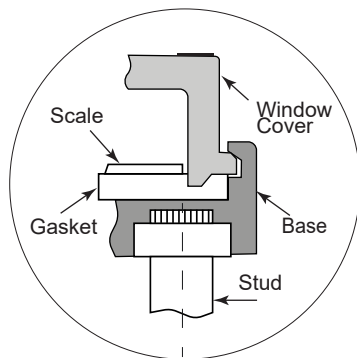
Model 5035, 5036

Analog Panel Meter



3-1/2" 5035 DC Moving Coil

3-1/2" 5036 AC Repulsion



Features

- **Gasket Sealing Design**

Dust resistant construction is a standard feature.

This unique sealing design provides exceptional gasket sealing while allowing for quick modification and scale changes while maintaining the integrity of the instrument.

*External panel gasket available.

- **Dustproof Lexan® Construction**

5000 series panel meters feature gasketed construction to seal out dust and other air-suspended damaging particles. Made with UL 94V material. Ideal where impact and strength is required in harsh environments.

- **DC Ranges:** Microammeter, Milliammeter, Ammeter, Millivoltmeter, Voltmeter.

- **AC Ranges:** Milliammeter, Ammeter, Voltmeter, Frequency Meter, Motor Load Meter.

- Equivalent to Yokogawa Big Look® (use 3 stud mounting option)

Specifications

Overload: Voltmeters (AC and DC): 50% momentary 20% sustained.
Ammeters (AC and DC) momentary: 10 times the rated current for 10 consecutive intervals of .5 seconds with a 1 minute interval between successive applications; 20% for six hours.

Accuracy: ±2% full scale value.

Resistance: ±15%.

Dials: 100 or 90 degree arc, black lettering on white background.

Pointer: Airplane.

Movement: Pivot and Jewel, AC Iron Vane or Taut Band.

Mounting: Specify (S) Surface mount.

Case: Clear polystyrene cases standard.
Acrylic or high impact polycarbonate case are available in some models.

Operating Temp.: 32°F to 104°F (0°C to 40°C).

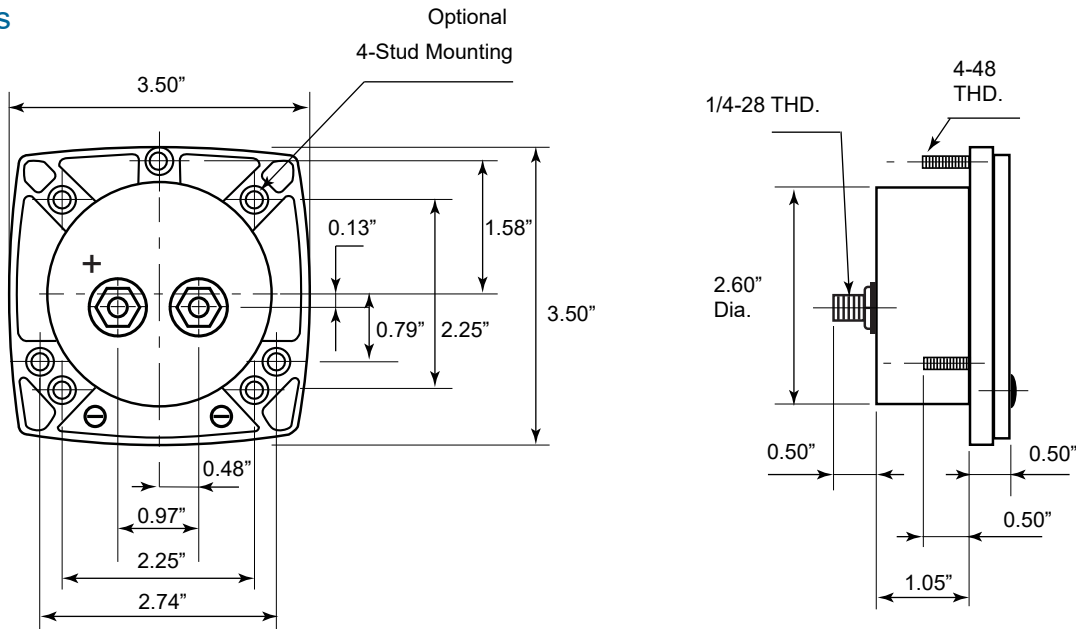
Storage Temp.: -4°F to 131°F (-20°C to 55°C).

Meter Approvals: ANSI C39.1, RoHS, REACH, UL Recognized (upon request).

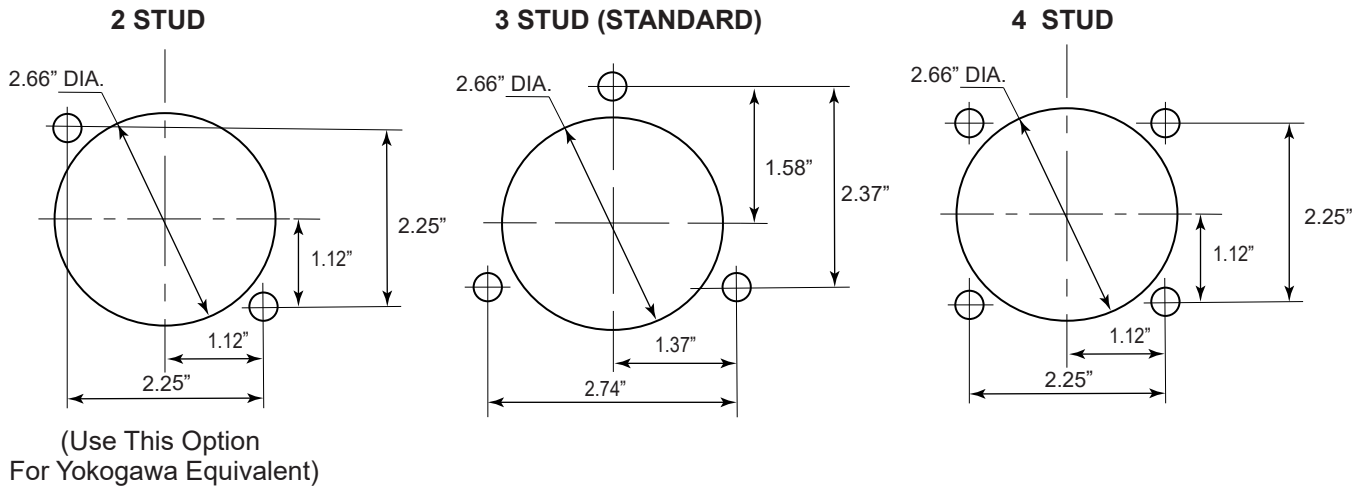
Origin: Made in USA.



Dimensions



Stud mounting options



The mounting studs on the 5000 Series can be ordered to fit your existing panel openings at no extra cost. The 5000 Series cases are interchangeable with a wide variety of competitive instruments. Dimensions are shown above. This built-in interchangeability eliminates the need for drawing changes, setups, and re-drilling of panels... and it solves your instrument replacement problems.

If you require a 2-stud option different than the option shown above please consult the factory.