



3.5"

570 DC Moving Coil

580 AC Repulsion

Features

Industrial Metal Series was designed to meet industrial requirements where rugged metal cases with glass fronts provide long service under adverse conditions. Metal cased Panel Meters are resistant to extreme shock, vibration, temperature, environmental contamination, and humidity.

Special Dials are available with the following options: Additional Colors, Scales, Special Legends, Logo and Mirrors. High current ammeter ranges with external shunt are available, as are special or non-standard ranges.

DC Ranges: Microammeters, Milliammeters, Ammeters, Millivoltmeters, Voltmeters.

AC Ranges: Milliammeters, Ammeters and Voltmeters

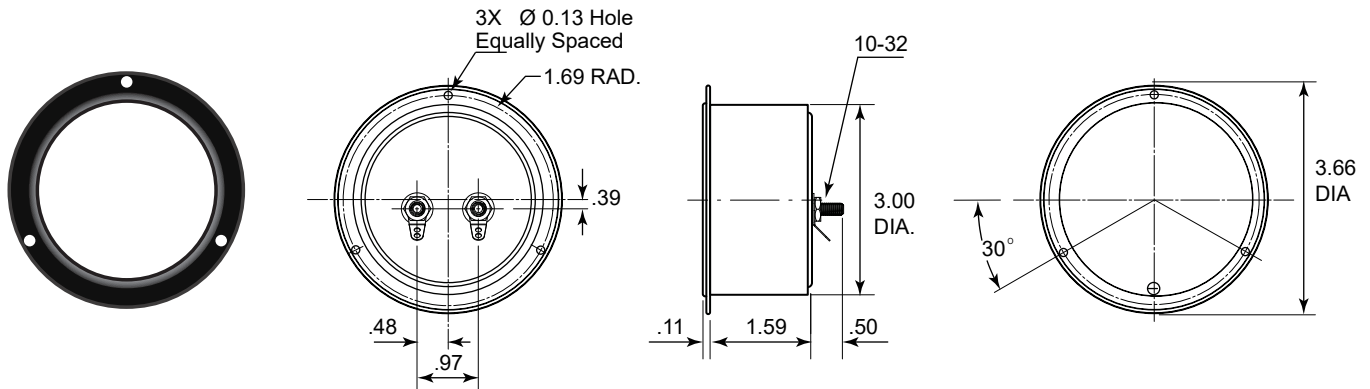
Specifications

Overload:	Voltmeters (AC and DC): 50% momentary 20% sustained. Ammeters (AC and DC) momentary: 10 times the rated current for 10 consecutive intervals of .5 seconds with a 1 minute interval between successive applications; 20% for six hours.
Accuracy:	±2% full scale value.
Resistance:	±10%.
Dials:	100 degree arc, black lettering on white background.
Pointer:	Knife Edge.
Movement:	Pivot and Jewel, Iron Vane or Taut Band.
Mounting:	Surface mount.
Case:	Metal.
Operating Temperature:	32°F to 104°F (0°C to 40°C).
Storage Temperature:	-4°F to 131°F (-20°C to 55°C).
Meter Approvals:	ANSI C39.1, RoHS, REACH.
Origin:	Made in USA.



Dimensions

Wide Rim Metal (option code: WR).



Narrow Rim Metal (option code: NR).

