



Models: 582MM, 584MM

Industrial Ruggedizes Panel Meters



3.5"

582MM DC Moving Coil

584MM AC Repulsion

■ Equivalent to Yokogawa 271-3 Toughmeter

Features

Industrial Ruggedized Series was designed to meet industrial requirements where rugged metal cases with glass fronts provide long service under adverse conditions.

High current ammeter ranges with external shunt are available, as are special or non-standard ranges.

They are dustproof and waterproof, meeting NEMA4 and ANSI C39.1 specifications and performance standards.

Special Dials are available with the following options: Additional Colors, Scales, Special Legends, Logo and Mirrors. Available with or without illumination..

DC Ranges: Microammeters, Milliammeters, Ammeters, Millivoltmeters and Voltmeters.

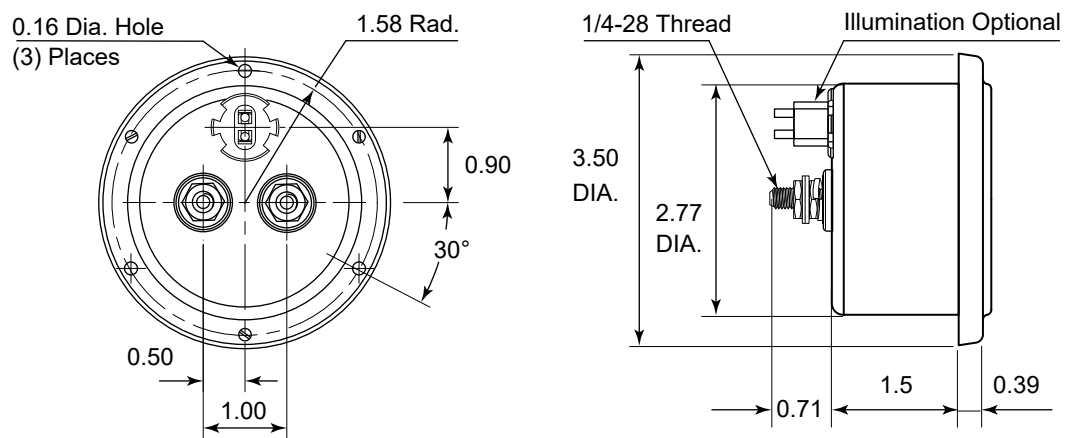
AC Ranges: Milliammeters, Ammeters and Voltmeters.

Specifications

Overload:	Voltmeters (AC and DC): 50% momentary 20% sustained. Ammeters (AC and DC) momentary: 10 times the rated current for 10 consecutive intervals of .5 seconds with a 1 minute interval between successive applications; 20% for six hours.
Accuracy:	±2% full scale value.
Resistance:	±20%.
Dials:	90 degree arc, black lettering on white background.
Pointer:	Knife Edge.
Movement:	Pivot and Jewel, Taut band or Iron Vane.
Mounting:	Surface mount.
Case:	Steel case.
Operating Temperature:	-55°F to 158°F (-48°C to 70°C).
Meter Approvals:	ANSI C39.1, NEMA4, RoHS, REACH.
Origin:	Made in USA.

Dimensions

Recommended Panel Cut-out:
Ø 2-13/16".



Hoyt Electrical Instrument Works, Inc.

23 Meter Street
Penacook, NH 03303

Phone: (800) 258-3652
Fax: (603) 753-9592
Email: sales@hoytmeter.com

www.hoytmeter.com