



# Models: 597 & 598

## Industrial Panel Meters



3"

597 DC Moving Coil

598 AC Repulsion

Industrial Series was designed to meet industrial requirements and for other applications where cases with glass fronts provide long service under adverse conditions.

High current ammeter ranges with external shunt are available, as are special or non-standard ranges.

Special dials are available with the following options: additional colors, scales, special legends, logo and mirrors.

Available with or without illumination.

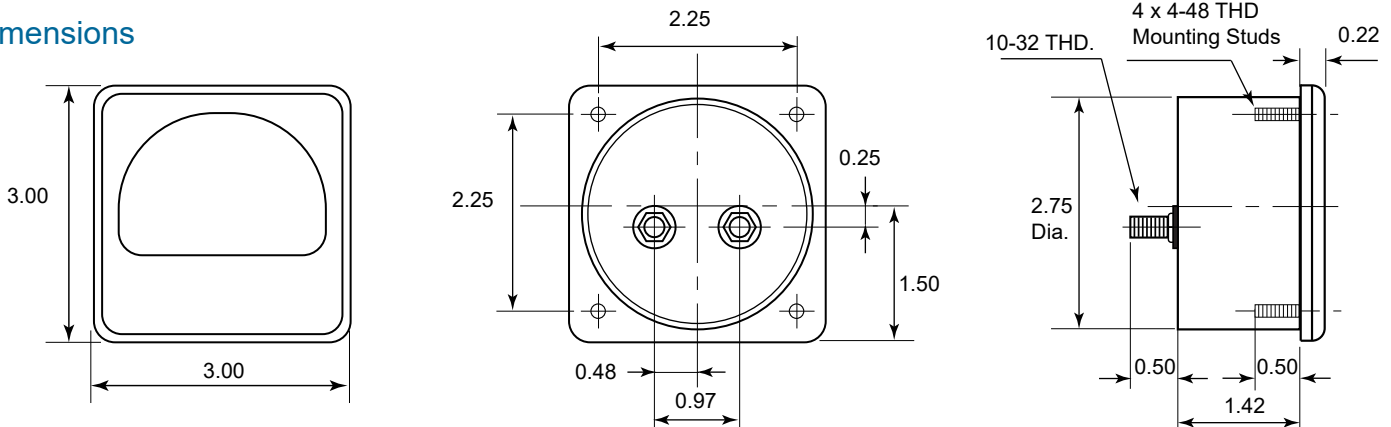
**DC Ranges:** Microammeters, Milliammeters, Ammeters, Millivoltmeters, Voltmeters,

**AC Ranges:** Milliammeters, Ammeters and Voltmeters.

### Specifications

Overload:	Voltmeters (AC and DC): 50% momentary 20% sustained. Ammeters (AC and DC) momentary: 10 times the rated current for 10 consecutive intervals of .5 seconds with a 1 minute interval between successive applications; 20% for six hours.
Accuracy:	±2% full scale value.
Resistance:	±10%.
Dials:	100 degree arc, black lettering on white background.
Pointer:	Knife Edge.
Movement:	Pivot and Jewel, Iron Vane or Taut Band.
Mounting:	Specify (F) Flush or (S) Surface Mount.
Case:	Phenolic and ABS Plastic.
Operating Temperature:	32°F to 104°F (0°C to 40°C).
Storage Temperature:	-4°F to 131°F (-20°C to 55°C).
Meter Approvals:	ANSI C39.1, RoHS, REACH.
Origin:	Made in USA.

### Dimensions



**Hoyt Electrical Instrument Works, Inc.**

23 Meter Street  
Penacook, NH 03303

Phone: (800) 258-3652  
Fax: (603) 753-9592  
Email: sales@hoytmeter.com

[www.hoytmeter.com](http://www.hoytmeter.com)

Page 1 (1)