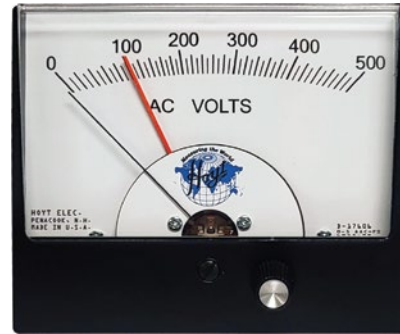




6045 MR 4-1/2"
 DC Ammeters, Voltmeters



6046 MR 4-1/2"
 AC Rectified Ammeters, Voltmeters

Features

- Low Depth - 4.5".
- Wide variety of control, alarm, and limit use.
- Calibration unaffected by steel panel mounting.
- Infrared LED/photo transistor.
- 0-2 / 0-20 second time delay STD.
- 5-A 120/220V relay contact, double pole-double throw.
- Stable electronic switching circuit does not use lamps, photocells, inductors or capacitors.
- Isolated input signal.
- Control function continues if the indicator becomes damaged.
- Relay latching
- Custom dials multi-color, gradient color, photos, and logos - as you wish.

Applications

- High & Low alarms
- Liquid level control
- Shutdown
- Load shedding
- Power factor correction
- Temperature indication and control

Specifications

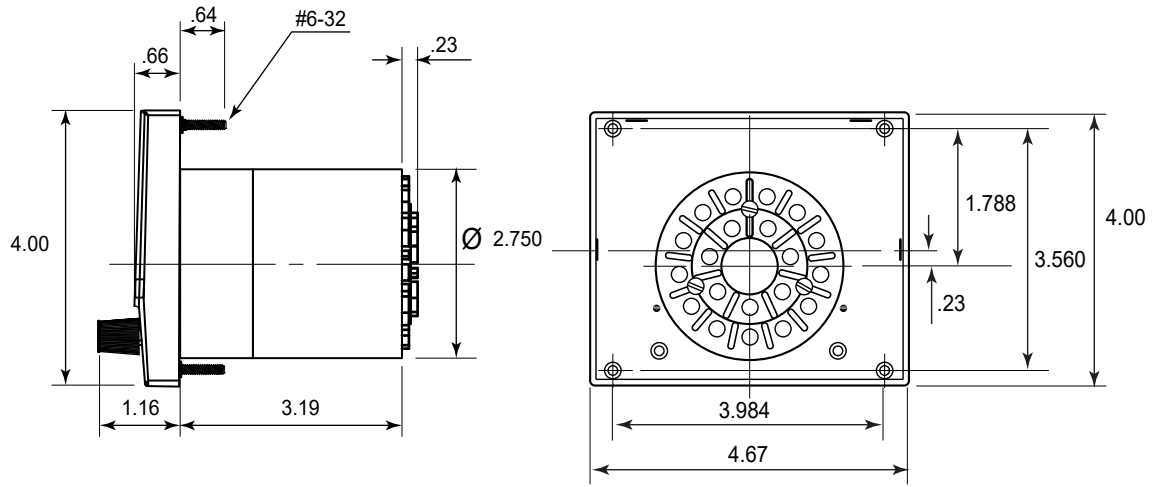
Accuracy	DC: $\pm 2\%$ of full scale. AC: $\pm 3\%$ of full scale.
Movement Suspension	Core Type, Self-shielding. Taut Band.
Tracking	$\pm 3\%$
Repeatability	Within 0.5% of full scale.
Shielding	Calibration unaffected by magnetic panel mounting.
Dial	Sharp, clear, flattened arc. Customs and logos available.
Case	ABS
Pointer	Black, Tubular
Control Point	Single - high limit, 0-100% of arc.
Adjustments	Double - high limit 5-100% of arc, Low limit 0-95% of arc, adjustable to within 4° of each other.
Switching	Within 2% of indication.
Auto / Manual Reset	Latching function enabled independently for each relay removing jumpers on terminal block. Add and replace with a normal open pushbutton switch.
Contacts/ Output Relay	DPDT relay contacts for each control point, each set contacts rated at 5amps, 20/240VAC resistive.
Power Options	1) 70-170VAC, 50-400Hz / 70-170VDC. 2) 8-32 VDC
Operating temperature	+41°F to 122°F (5°C to 50°C)



Model 6045MR, 6046MR

Analog Panel Meters

Dimensions



Meter Relay Configurator

Model	Relay	Time Delay	Reset	Aux Power	Input	Scale
6045MR	H = HIGH HL = HIGH / LOW L = LOW	0 = 0-2 SEC 2 = 0-20 SEC	A = AUTO M = MANUAL	A = 100-132 VAC D = 8-32 VDC	1M ADC	Specify
6046MR					150 VDC	
	300 VDC					
	50M VDC					
					100M VDC	
					150 VAC	
					300 VAC	
					5 AAC	

Catalog Numbers	6045MR	6046MR
High Setpoint	6045MR-H0AA-1MADC	6046MR-H0AA-150VAC
	6045MR-H0AA-150VDC	6046MR-H0AA-300VAC
	6045MR-H0AA-300VDC	6046MR-H0AA-5AAC-SCALE*
	6045MR-H0AA-50MVDC-SCALE*	
High / Low Setpoint	6045MR-HL0AA-1MADC	6046MR-HL0AA-150VAC
	6045MR-HL0AA-150VDC	6046MR-HL0AA-300VAC
	6045MR-HL0AA-300VDC	6046MR-HL0AA-5AAC-SCALE*
	6045MR-HL0AA-50MVDC-SCALE*	
Low Setpoint	6045MR-L0AA-1MADC	6046MR-L0AA-150VAC
	6045MR-L0AA-150VDC	6046MR-L0AA-300VAC
	6045MR-L0AA-300VDC	6046MR-L0AA-5AAC-SCALE*
	6045MR-L0AA-50MVDC-SCALE*	

* - Please, specify your scale information upon order