



Model 673/S

Edgewise Panel Meters

673/S DC 2.5"



Hoyt 673/S meters have high visibility scales and straightforward design that make them especially suited to small, limited space, rack mounted power supplies and allied equipment. 673/S have a small projection required to enclose the D'Arsonvale movement. Supplied bezel and mounting hardware enable quick, trouble-free installation. Special resistance, accuracy, pointers and ranges available.

DC Ranges: Microammeters, Milliammeters, Ammeters, Millivoltmeters, Voltmeters.

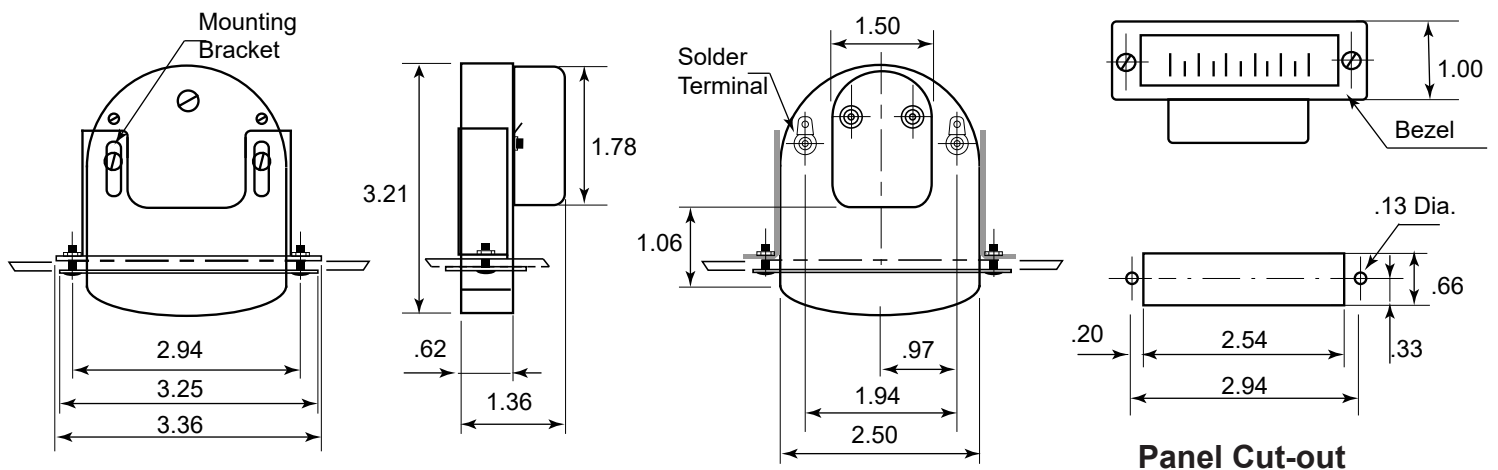
Specifications

Overload: DC Voltmeters - 20% momentary and sustained.
DC Ammeters (momentary) - 10 times the rated current for 10 consecutive intervals of .5 seconds with 1 minute between successive applications.
DC Ammeters (sustained) - 20% for 6 hours

Accuracy: $\pm 2\%$ full scale value.
Resistance: $\pm 15\%$.
Dials: Black lettering on white background.
Pointer: Knife Edge.
Movement: Taut Band.
Mounting: Panel Mount (Horizontal/Vertica).
Bezel & mounting hardware is Included.
Case: Lexan.

Operating Temperature: 32°F to 104°F (0°C to 40°C).
Storage Temperature: -4°F to 131°F (-20°C to 55°C).
Relative Humidity: 20% to 80%RH (Nominal Use).
Meter Approvals: ANSI C39.1.

Dimensions



Hoyt Electrical Instrument Works, Inc.

23 Meter Street
Penacook, NH 03303

Phone: (800) 258-3652
Fax: (603) 753-9592
Email: sales@hoytmeter.com

www.hoytmeter.com