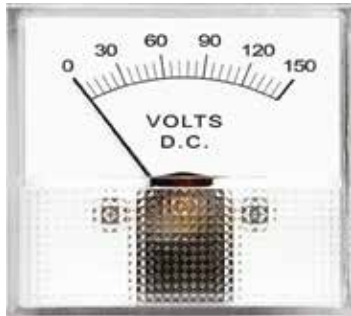




Model: 825, 826R

5% Moving Magnet Meters



825 2.5" DC Ammeter | **825** 2.5" DC Voltmeter
826R 2.5" AC Rectifier Ammeter | **826R** 2.5" AC Rectifier Voltmeter

Features

- The 5% Moving Magnet Meters are especially suited for applications requiring high durability at low cost.
- They feature rugged steel backs, U-clamp for mounting, fade proof lithographed metal dials, and static-free polystyrene or glass fronts.
- Special Dials are available with the following options: Additional Colors, Scales, Special Legends, Logo and Mirrors.
- Custom ranges are available on request.

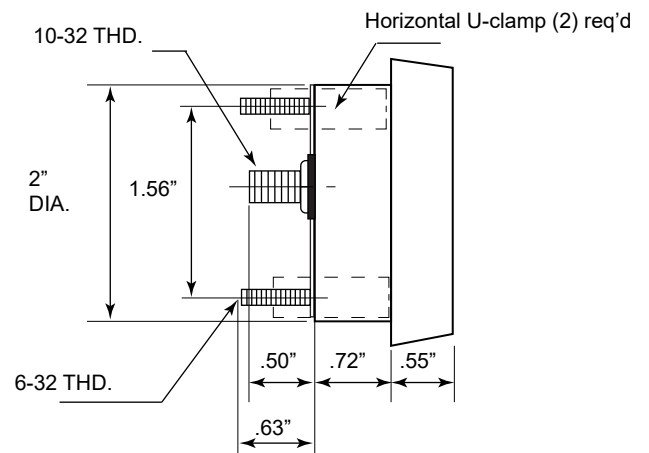
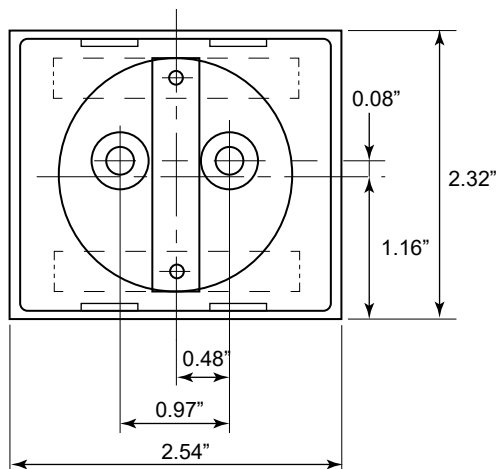


Specifications

Accuracy: ±5% full scale value.
 Resistance: ±10%.
 Movement: Moving Magnet
 Case: Lexan, Polystyrene, Steel.
 Dials: 56 degree arc, black lettering on white background.
 Pointer: Knife Edge.
 Mounting: Surface Mount U-Clamp.
 Operating Temperature: 32°F to 104°F (0°C to 40°C).
 Storage Temperature: -4°F to 131°F (-20°C to 55°C).
 Relative Humidity: 20% to 80% RH (Nominal Use).
 Meter Approvals: NEMA4 and ANSI C39.1.
 Origin: Made in USA.



Dimensions



Hoyt Electrical Instrument Works, Inc.

23 Meter Street
 Penacook, NH 03303

Phone: (800) 258-3652
 Fax: (603) 753-9592
 Email: sales@hoytmeter.com

www.hoytmeter.com