

1.5" H6286 DC Taut Band

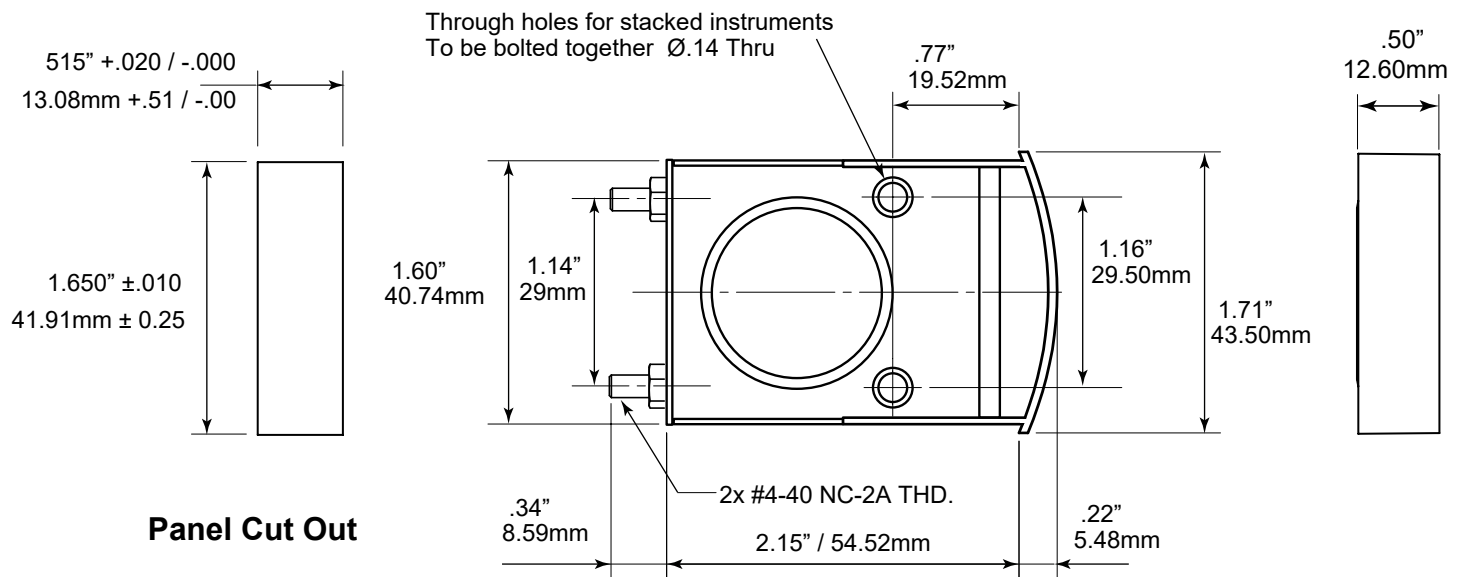
Features

- Hoyt H6286 meters have high visibility scales and straightforward design that make them especially suited to small, limited space.
- Available with Horizontal or Vertical scales.
- Special resistance, accuracy, pointers and ranges available.

Specifications

Overload:	20% momentary and sustained.
DC Voltmeters:	momentary 10 times the rated current for 10 consecutive intervals of .5 seconds with a 1 minute interval between successive applications;
DC Ammeters:	sustained - 20% for six hours.
Accuracy:	±2% full scale value.
Resistance:	±15%.
Dials:	Black lettering on white background.
Pointer:	Red Lance.
Movement:	Taut Band.
Mounting:	Panel mount. Bezel & mounting hardware is Included.
Case:	Lexan.
Operating Temperature:	32°F to 104°F (0°C to 40°C).
Storage Temperature:	-4°F to 131°F (-20°C to 55°C).
Relative Humidity:	20% to 80% RH (Nominal Use).
Meter Approvals:	ANSI C39.1.

Dimensions



Panel Cut Out