



Model HLS-110A SYNC

Analog Synchroscope



Operation Principle

- A synchroscope indicates the synchronization point (scale center) when the frequencies and the phases at a generator side and a bus line side are matched.
- If the frequencies of both side are equal, the position at which the needle is stationary indicates the phase difference between the two.
- When the generator side (starting side) frequency is f_g and the bus line side (operating side) frequency is f_b , the direction of rotation of the needle is as follows:
 When $f_g = f_b$ The needle is stopped
 When $f_g > f_b$ The needle rotates in the FAST direction
 When $f_g < f_b$ The needle rotates in the SLOW direction

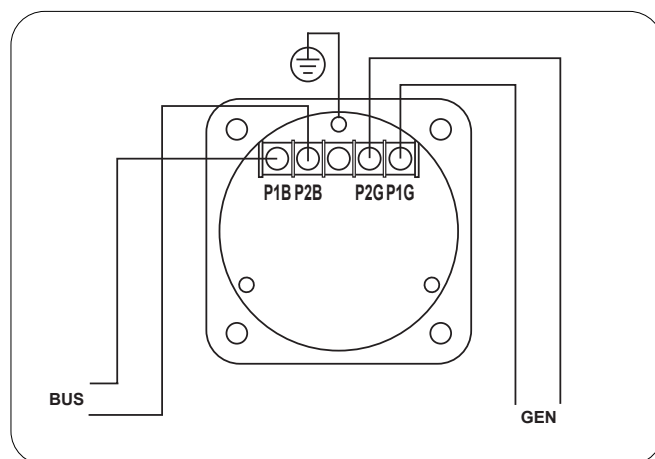
Features

- Input voltage: 120V AC or 240V AC.
- Standard 4.5 inch switchboard.
- Front panel mount
- 360° indication.
- Plastic case.
- UL # E486912

Specifications

Nominal Input Voltage: 120V AC | 240V AC
 Frequency Range: 50Hz or 60Hz
 Scale: SLOW / FAST
 Indication: Moring pointer
 Angle of rotation: 360°

Wiring Diagram



Dimensions

