



HLS-110DI Frequency Meter

Dual Wide Angle Scale Instrument



HLS-110DI TWO-VUE switchboard meters are combination Digital / Analog indicating instruments. They can be configured to accept VAC, AAC, VDC, or ADC input. Both the digital and analog displays can be modified to represent virtually any scaling or engineering units as required.

The unit is contained in a 4-1/4" switchboard housing. It utilizes a pivot and jewel moving element and a 0.56", 3-1/2 digit display for indication (± 1999 counts).

■ **Consult Hoyt for measuring ranges and scales**

Features

- Analog and digital display to provide the ultimate in readability of power and control parameters.
- Drop-in replacement for upgrade of existing controls and switchgear panels.
- Rugged switchboard style case and IP54 rated cover.
- High-intensity LED digital displays with high reliability analog movements.
- Standard models for DC voltage and current, with custom scales and dials available as options.

Specifications

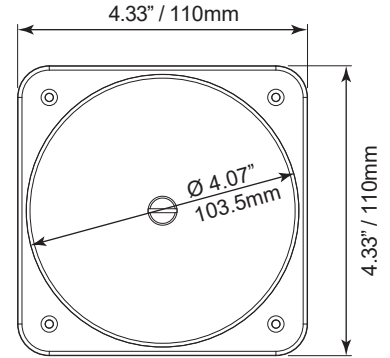
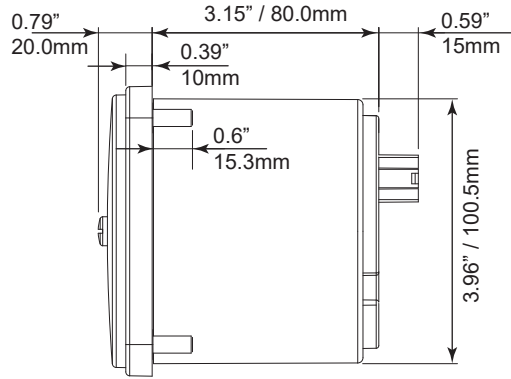
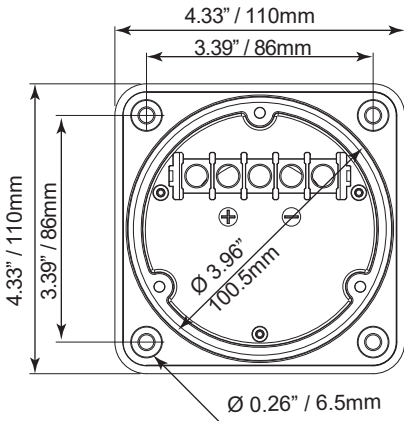
Power supply	Voltage: Standard 120V \pm 15% Optional 240V \pm 15%, 125V \pm 15V DC, 24V \pm 6V DC, 48V \pm 12V DC Frequency: 50/60 Hz \pm 2 Hz (48 Hz to 62 Hz) Burden: <3.5 VA.
Display Analog:	Analog movements
Display Digital:	3-1/2 digit, 7 segment display 0.56" (14.2mm) digit height. Red or green LED. Negative polarity indicator. Selectable decimal point settings. Update rate is 2.5 times per second. Response time less than 1 second (90%)
Accuracy:	Reference conditions 25°C Class 1.0 Digital: AC \pm 0.1% of reading \pm 3 counts ; DC \pm 3 counts
Cover	Polycarbonate UL94V0 rated cover and window
Full scale deflection	210°
Enclosure	Acrylic resin cover, plastic body and terminal, four studs mounting Metal case for shielding and grounding
Terminal Plate	Polycarbonate
Operating Temperature	0°C ~ 40°C
Storage Temperature	-10°C ~ 60°C
Humidity	80% max.
Isolation Voltage	2kV for 1 minute between input and case, input and aux. power, aux. power and case



HLS-110DI Frequency Meter

Dual Wide Angle Scale Instrument

Dimensions



PANEL CUT-OUT

