



HLS-110, HLS-80 VAR Meters

Analog Switchboards Meters



HLS-80 - 3.25"

HLS-110 - 4.5"

Features

- Easy to read long-scales and pointer-indications can easily be read from a distance.
- Full Scale Deflection: 250°
- Accuracy: Class 1.0
- Scale Length: HLS-110: 183mm | HLS-80: 140mm
- Case and Composition:
Acrylic resin cover, plastic body and terminal.
Four studs mounting.
- Color: White scale plate, black terminal plate, black meter body.
- Pointer: Sword-type in black color.

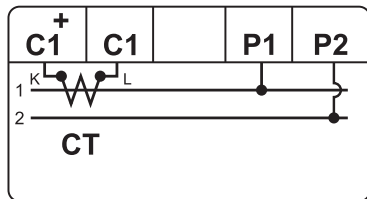
Specifications

Rating (Current)	Rating (Voltage)	Accuracy
Single - Phase / 2-wire, 50 or 60 Hz 1A 5A 1A 5A	120V (L-N) 240V (L-N)	1.5
3 Phase / 3-wire, 50 or 60 Hz 1A 5A 1A 5A	120V (L-N) 240V (L-N)	1.5
3 Phase / 4-wire, 50 or 60 Hz 1A 5A 1A 5A	$208V / \sqrt{3}$ (120V L-N 208V L-L) $415V / \sqrt{3}$ (240V L-N 415V L-L)	1.5

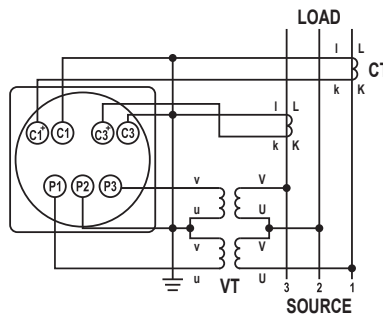
■ Consult Hoyt for measuring ranges and scales

Wiring Diagram

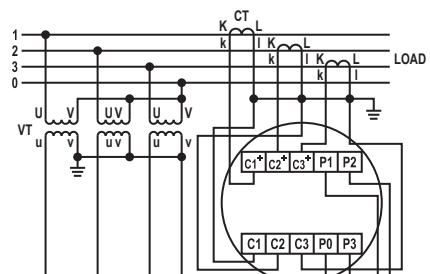
KVAR 1P2W



KVAR 3P3W



KVAR 3P4W



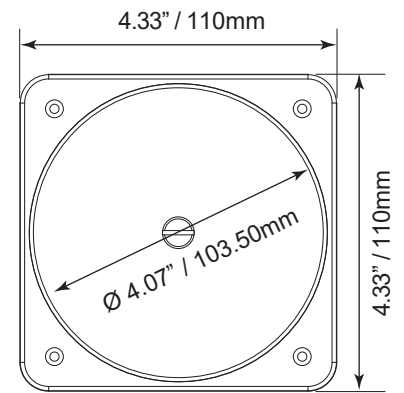
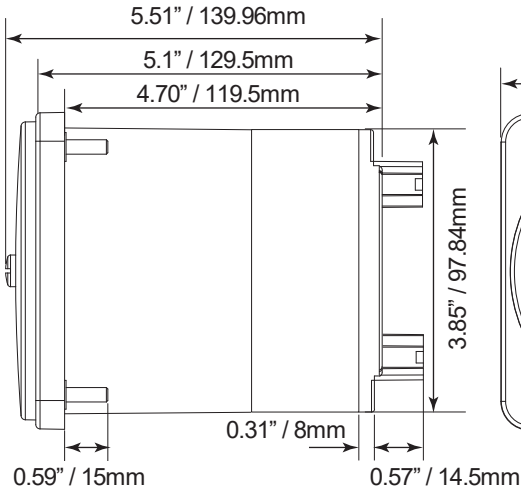
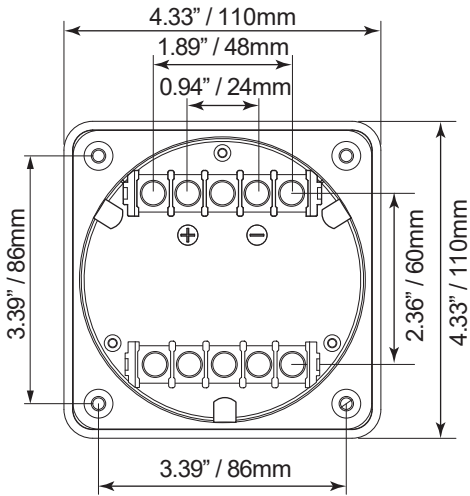
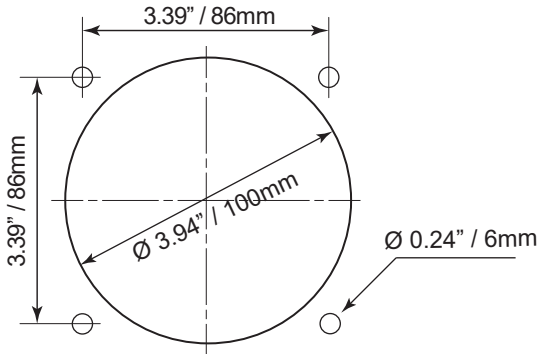
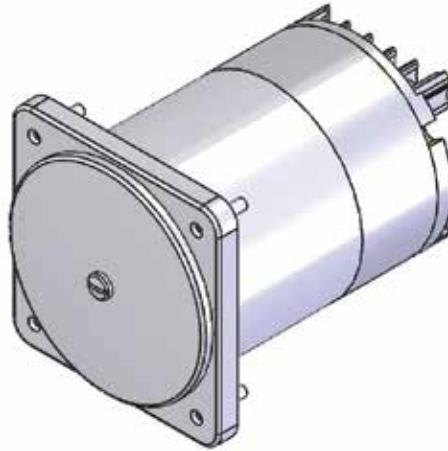


HLS-110, HLS-80 VAR Meters

Analog Switchboards Meters

Dimensions

HLS-110



HLS-80

