



HLS-110, HLS-80 AC/DC Voltmeters

Analog Switchboards Meters



HLS-80 - 3.25"
HLS-110 - 4.5"

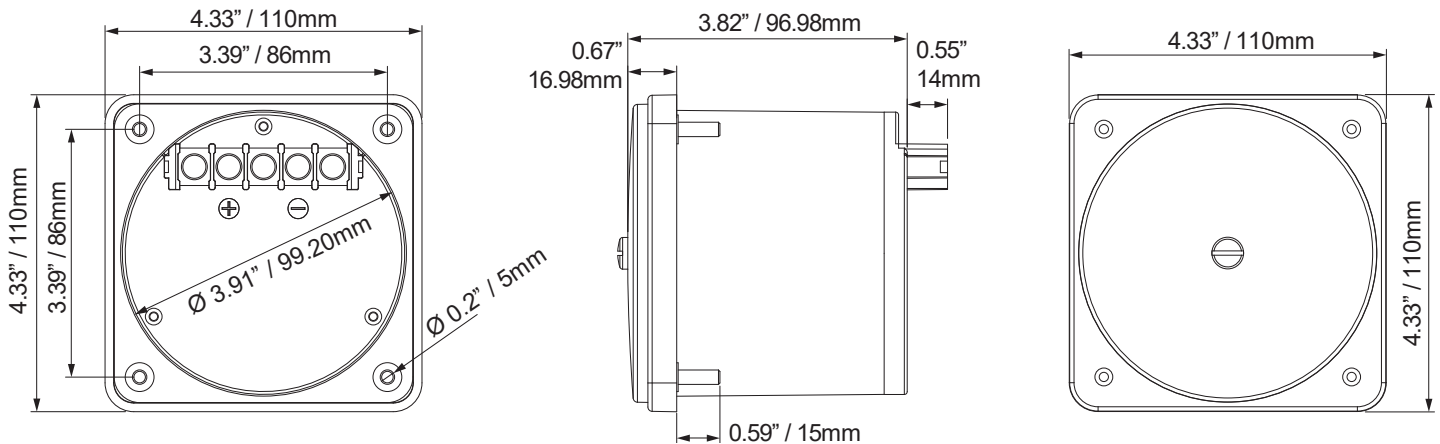
Features

- Easy to read long-scales and pointer-indications can easily be read from a distance.
- Full Scale Deflection : 250°
- Accuracy : Class 1.0
- Scale Length : HLS-110: 183mm | HLS-80: 140mm
- Case and Composition :
Acrylic resin cover, plastic body and terminal.
Four studs mounting.
- Color : White scale plate, black terminal plate, black meter body.
- Pointer : Sword-type in black color.

■ Consult Hoyt for measuring ranges and scales

Dimensions

HLS-110



HLS-80

