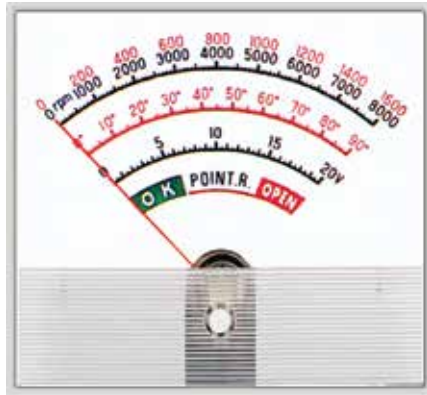




Model HST-118

Analog Panel Meters



4.5" HST-118

Features

- Case and Composition: Acrylic resin front.
ABS resin case.
Four studs mounting.
- Accuracy: Moving coil type: Class 2.0
Rectifier type: Class 2.0
- Color: Black case and white scale plate.
- Pointer: Tube type, color in black or red.

Measuring Ranges

Moving Coil Type

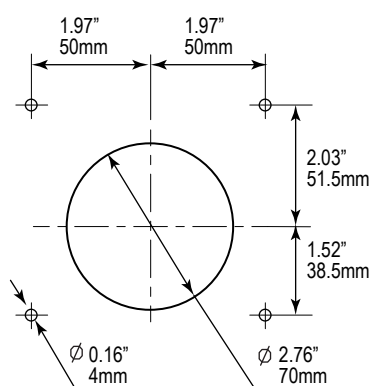
DC uA	DCmA	DC A	DC mV	DC V
50	1	1	50	3
100	5	5	60	5
150	10	10	100	10
200	50	15	500	30
250	100			50
300	150			100
500	200			150
800	300			200
	500			300
	800			500
				600

Rectifier Type

AC V
30
50
100
150
200
300
500

DC up to 15A
Consult Hoyt for other measuring ranges and scales

Dimensions



Panel Cut-Out

