



# HST-72, HST-96 COSØ Power Factor Meters

## DIN Analog Panel Meters

.Analog Panel Meters are used for measuring the power factor of AC single and three phases networks. They are also built primarily in switchboards and electric devices.



HST-96 COSØ - 96mm  
HST-72 COSØ - 72mm

### Specifications

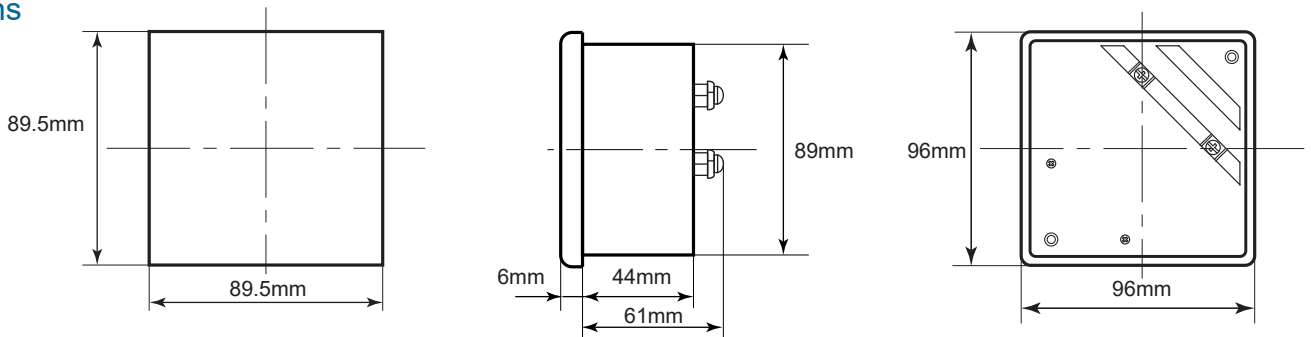
Measuring Range: 110V, 220V, 380V, 440V/1A, 5A.  
Accuracy: ±5% phase angle.  
Frequency: 45-65 Hz.  
Test Voltage: 2kV, 50-60Hz.

Pointer Length: HST-72 - 38mm, HST-06 - 55mm,  
Composition: Glass window, ABS Resin frame and case,  
bakelite base mounting fitting included.

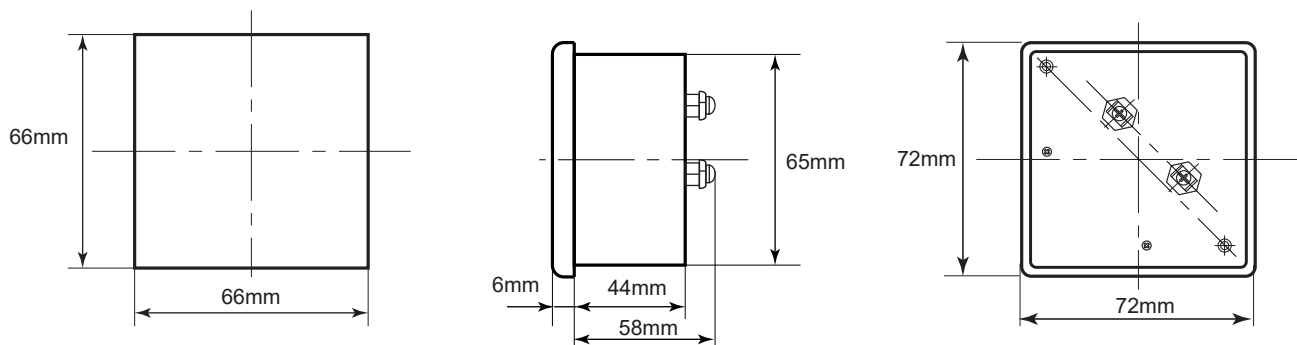
Color: Black base and frame, White scale plate and meter body.  
Pointer: Stick shape in black color.

### Dimensions

#### HST-96



#### HST-72



#### Transducer

