



**HST-98 3.5"**

■ Equivalent to Yokogawa (YCA) Horizon Series

### Features

- **DC Ranges:** Microammeter, Milliammeter, Ammeter, Millivoltmeter, Voltmeter.
- **AC Ranges:** Milliammeter, Ammeter, Voltmeter, Frequency Meter.

■ **Consult Hoyt for measuring ranges and scales**

### Specification

- **Case and Composition:**  
ABS case and PC cover.  
Two studs mounting (window mount option included).
- **Accuracy :** +2.0% full scale value
- **Color:** Black case and white scale plate.
- **Pointer:** Tube type, color in black.
- **Hz Meter :**  
Measuring Ranges : 45~56 Hz, 45~55 Hz, 55~65 Hz  
Rated Voltage : 110V, 220V  
Accuracy : +2.0% full scale.

#### General:

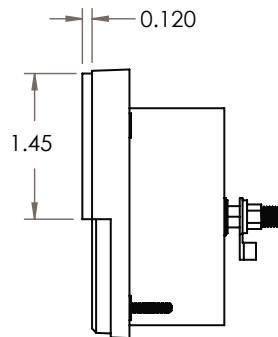
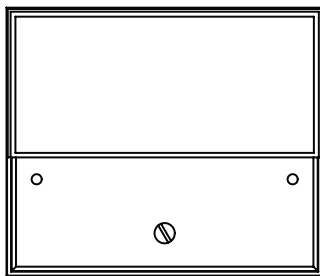
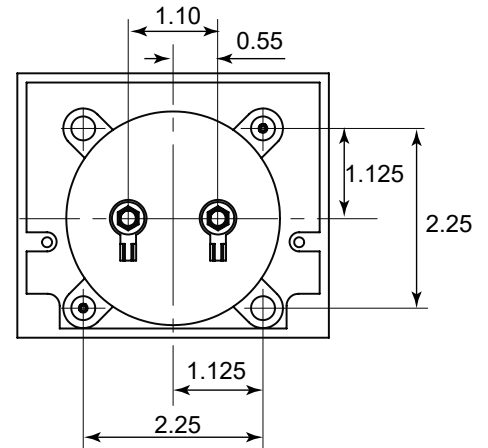
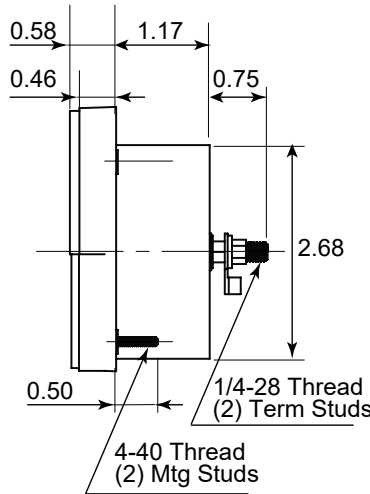
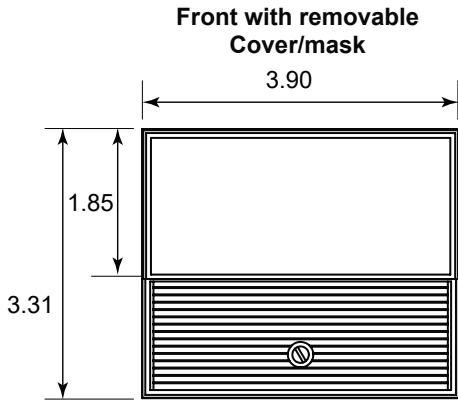
Relative Humidity: 20% to 80%RH (Nominal Use).  
Operating Temperature: 32°F to 104°F (0°C to 40°C).  
Storage Temperature: -4°F to 131°F (-20°C to 55°C).



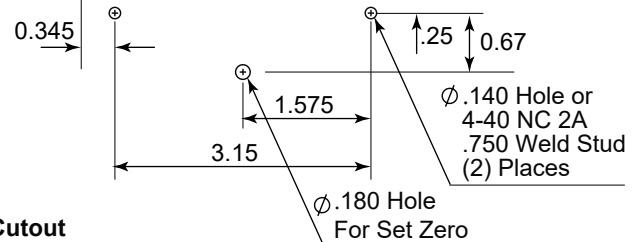
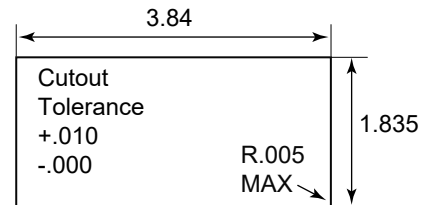
# HST-98 Series

## Analog Panel Meters

### Dimensions



**Panel Cutout Behind Panel Mounting**



**Panel Cutout For Surface Mounting**

