



H4S & H4W Series

4.5 LCD Digital Panel Meter



Low Cost 4½ Digit LCD Display

Specifications

Display

Digits: 4 ½ digits (±19999 counts)
 Type: 0.5" (13mm) 7 segment LCD
 Polarity: automatic, "-" displayed
 Annunciators: "LoBat" when power <7.2 VDC
 Decimal Points: 4 position, user-selectable
 Overrange: four lower order digits blank for inputs >19999 & < -19999
 Hold: standard

Inputs

Ranges: ±200.0 mV, ±2.000 V, ±20.00 VDC
 Configuration: single ended for 9 V powered, differential for 5 V powered
 Protection: ±10 VDC on 200 mV ; ±100 VDC on @ 2V ; ±350 VDC on 20 V range
 Impedance: >100 MΩ on ± 200 mV ; (>1 MΩ on 2 V & 20 V range)
 Bias Current: 10 pA typical

Performance

Accuracy: ±(0.06% fs + 1 count) maximum
 Conversion Rate: 2 per second
 Normal Mode Rejection: >30 dB @ 60 Hz
 Common Mode Range: ±1 VDC (5 V powered)
 Common Mode Rej.: >86 dB
 Zero Adjustment: automatic
 Warmup: 10 minutes typical
 Temperature Coeff.: ±50 ppm per °C typical
 ±100 ppm max for 200 mV range
 ±100 ppm per °C typical
 ±200 ppm max for 2V and 20V ranges

Environment

Operating Range: 0 to 50 °C
 Storage Range: -20 to 70 °C

Power Supply

5V powered: +5 VDC (4.65 - 5.35) at 2.6 mA
 9V powered: +7.2 to +12 V at 1.5 mA

Mounting

H4W: surface or window mount
 H4S: snap-in bezel mount

Connection

H4W, H4S: 13 pins, 0.025" square on 0.1" center

Features

- Low-cost, high-performance replacement for many OEM DPMs
- Window, surface or snap-in mounting
- Low power: choice of 1.5mA (9V) or 2.6mA (+5V)
- Space-saving design: only 1" (25 mm) deep
- Occupies less than 2.5 X 1.1 inches of front panel space
- 4½ digits with high-contrast LCD

Ordering Info

4S SERIES

Part Number	Meter Input	Meter Power
H4S0040N	200mV	+5VDC
H4S0140N	2V	+5VDC
H4S0240N	20V	+5VDC

4W SERIES

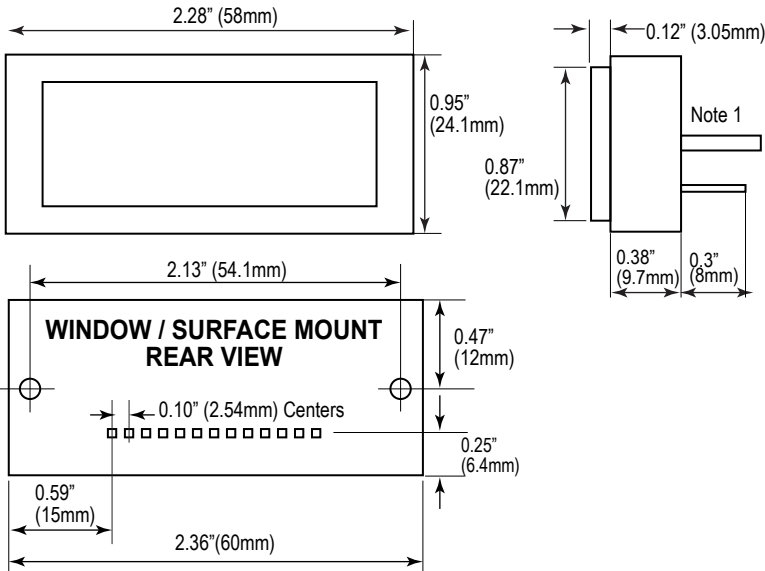
Part Number	Meter Input	Meter Power
H4W0040	200mV	+5VDC
H4W0090	200mV	9V
H4W0140	2V	+5VDC
H4W0190	2V	9V



H4S & H4W Series

4.5 LCD Digital Panel Meter

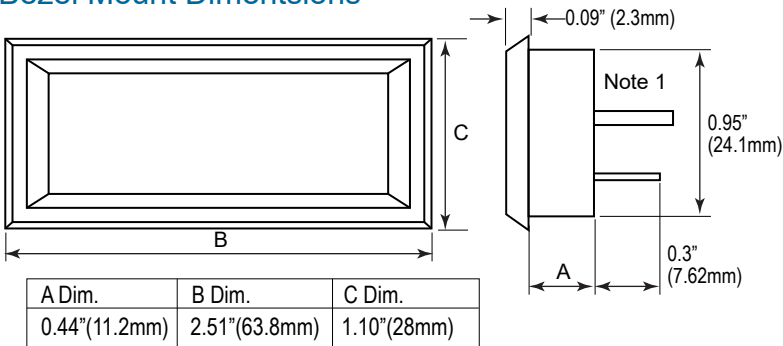
Window / Surface Mount Dimensions



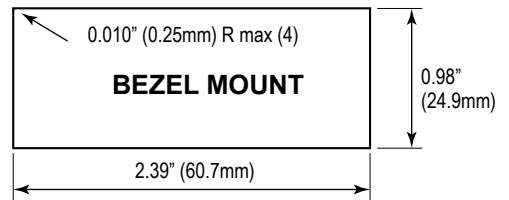
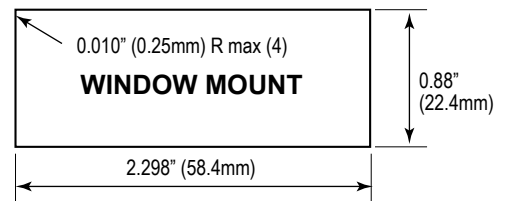
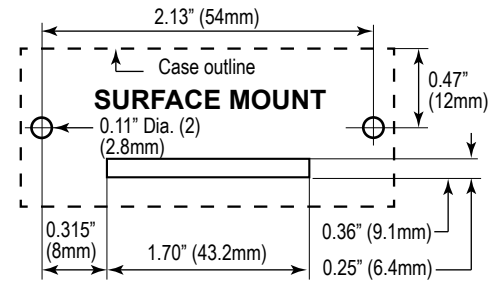
NOTES:

Mounting studs (2) are #2-56, length 0.5 (13) min.
Snap in bezel Mount does not have mounting studs.

Bezel Mount Dimensions



Panel Cutouts



Connection Description

PIN #	PIN NAME	DESCRIPTION
1	V+	Positive Supply Connection
2	V-	Negative Supply Connection
3	INHI	Input High Terminal
4	INLO	Input Low Terminal
5	D1	Decimal Point = 000.0
6	D2	Decimal Point = 00.00
7	D3	Decimal Point = 0.000
8	D4	Decimal Point = .0000
9	DP	DP Common Connect to decimal points to activate
10	RNG	10:1 Range Connect to V+ points to activate
11	NC	No Connection Required
12	NC	No Connection Required
13	NC	No Connection Required