



### Miniature Bezel Mount 3½ Digit LCD

#### Specifications

##### Display

Digits: 3 ½ digits (±1999 counts)  
 Type: 0.38" (9 mm) high-contrast reflective LCD  
 Polarity: automatic, "-" displayed  
 Decimal Points: 3 position, user-selectable  
 annunciators: BAT, °C, °F, ~, m, μ, MΩ, KΩ, V, A, HOLD, user-selectable  
 Overrange: three lower order digits blank for inputs >1999 & < -1999  
 Hold: available OEM option, contact factory

##### Inputs

Ranges: ±200.0 mV, ±2.000 V  
 Configuration: bipolar, differential  
 Protection: ±350 VDC, (±100 VDC on 200 mV range)  
 Impedance: >10 MΩ, (>1 MΩ, on 2 V range)

##### Performance

Accuracy: ±(0.1% + 1 counts) typical  
 ±(0.2% + 2 counts) maximum  
 Conversion Rate: 2.5 per second  
 Normal Mode Rejection: >30 dB @ 60 Hz  
 Common Mode Range: ±1 VDC  
 Common Mode Rej.: >86 dB  
 Zero Adjustment: automatic  
 Warmup: 10 minutes typical  
 Temperature Coeff.: ± 100 ppm per °C typical

##### Environment

Operating Range: 0 to 50 °C  
 Storage Range: -20 to 70 °C

##### Power Supply

5V powered: +5 VDC (± 5%) at 5 mA  
 9V powered: +7.2-12 VDC at 300 μA

##### Mounting

snap-in bezel mount

##### Connection

26 pins, in 2 rows

#### Features

- Low-cost, high-performance miniature snap-in DPM with annunciators.
- Snap-in bezel mount eliminates mounting hardware.
- Space-saving design: only .5" deep.
- Occupies less than 1.75 X .95 inches of front panel space.
- 3½ digits with high-contrast LCD.
- Annunciators and decimal points.

#### Ordering Information

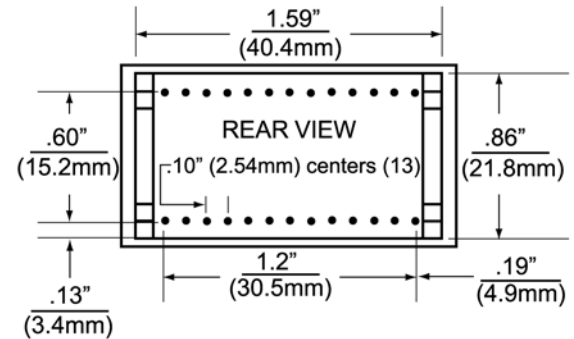
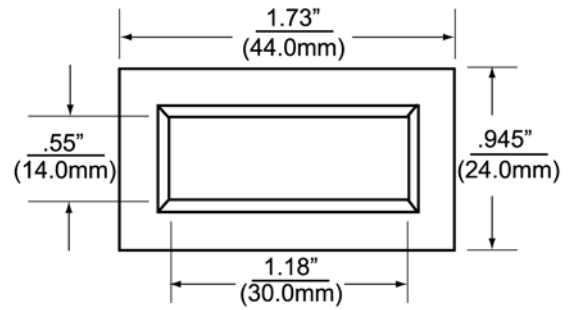
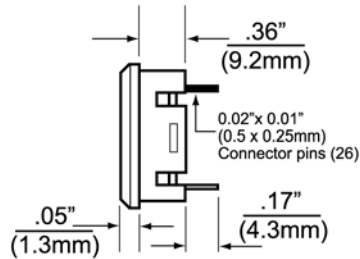
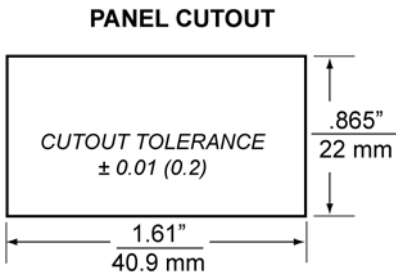
Part Number	Meter Input	Meter Power
H6M0040	200mV	+5VDC
H6M0140	2V	+5VDC
H6M0050	200mV	9VDC
H6M0150	2V	9VDC



# H6M Series

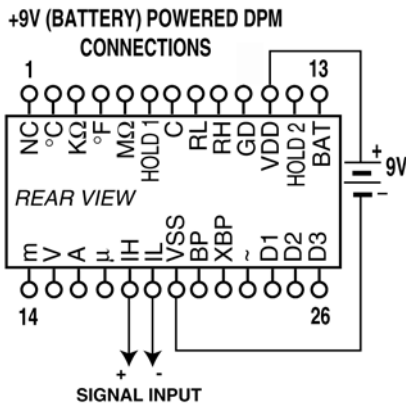
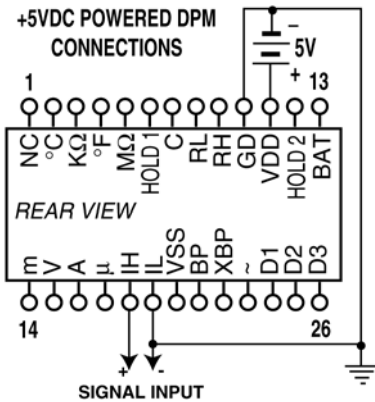
## 3.5 Digit LCD Panel Meter

### Dimensions



Inches (mm)

### MINI 26-PIN DPM Connections



### NOTES:

1. Input must be isolated from supply on 9V powered DPM.
2. Display holds reading when "Hold1" is high (connected to "VDD"), readings are updated when open (optional).
3. Input common mode range = ±1 VDC on +5V powered DPMs.
4. To turn on decimal points or annunciators, connect to "XBP".

### Connection Descriptions

Pin	Pin Name	Description	
1		No Connection	
2	°C	Annunciator	
3	KΩ	Annunciator	
4	°F	Annunciator	
5	MΩ	Annunciator	
6	HOLD1	Connect To Vdd To Hold Display	
7	C	Analog Common	
8	RL	Reference Low Terminal	
9	RH	Reference High Terminal	
10	GD	Neg Power Supply For 5v Dpms	
11	VDD	Positive Dpm Power Supply	
12	HOLD2	"Hold" Annunciator	
13	BAT	Annunciator	
14	m	Annunciator	
15	V	Annunciator	
16	A	Annunciator	
17	μ	Annunciator	
18	IH	Positive Input Signal	
19	IL	Negative Input Signal	
20	VSS	Negative Power Supply for 9V	
21	BP	Lcd Backplane	
22	XBP	Annunciator & Decimal Point Driver	
23	~	Annunciator	
24	D1	1.XXX	
25	D2	1X.XX	Decimal Point
26	D3	1XX.X	Point