



H965 Series

3.5 Digit LCD Panel Meter



Features

- Space saving design only 0.67" (17mm) deep.
- Occupies less than 2.5 x 1.1 inches of front panel space.
- High contrast LCD.
- 3½ digits with 0.39" LCD.
- Snap-In bezel eliminates the need for mounting hardware.
- Low power requirement (3mA) is ideal for battery powered applications.
- User-selectable Decimal Points.

Ordering Information

Part Number	Meter Input
H9650FO	200mV
H9652FO	2V
H9654FO	20V
C10-5	5" - 10 Pin Connector / Wire Assembly
J1C10	12" - 10 Pin Connector / Wire Assembly
PW2-5	Regulated 120V AC to 5V DC Power Supply

3½ Digit LCD

Specifications

Display

Digits: 3 ½ digits (±1999 counts)
 Type: 0.39" (10mm) high contrast reflective LCD
 Polarity: automatic, "-" displayed
 Decimal Points: 3 position, user-selectable
 Overrange: three lower order digits blank for inputs
 >1999 & < -1999

Inputs

Ranges: ±200.0 mV, ±2.000 V, ±20.00 VDC
 Configuration: bipolar, differential
 Protection: ±350 VDC, (±100 VDC on 200 mV range)
 Impedance: >1 MΩ, (>10 MΩ on 200 mV range)

Performance

Accuracy: ±(0.1% + 1 counts) typical
 ±(0.2% + 2 counts) maximum
 Conversion Rate: 3 per second
 Normal Mode Rejection: >30 dB @ 60 Hz
 Common Mode Range: ±1 VDC
 Common Mode Rej.: >86 dB
 Zero Adjustment: automatic
 Warmup: 10 minutes typical
 Temperature Coeff.: ± 100 ppm per °C typical

Environment

Operating Range: 0 to 50 °C
 Storage Range: -10 to 70 °C

Power Supply

Voltage: +5 VDC (±5%)
 Current: 3 mA

Mounting

snap-in bezel mount

Connection

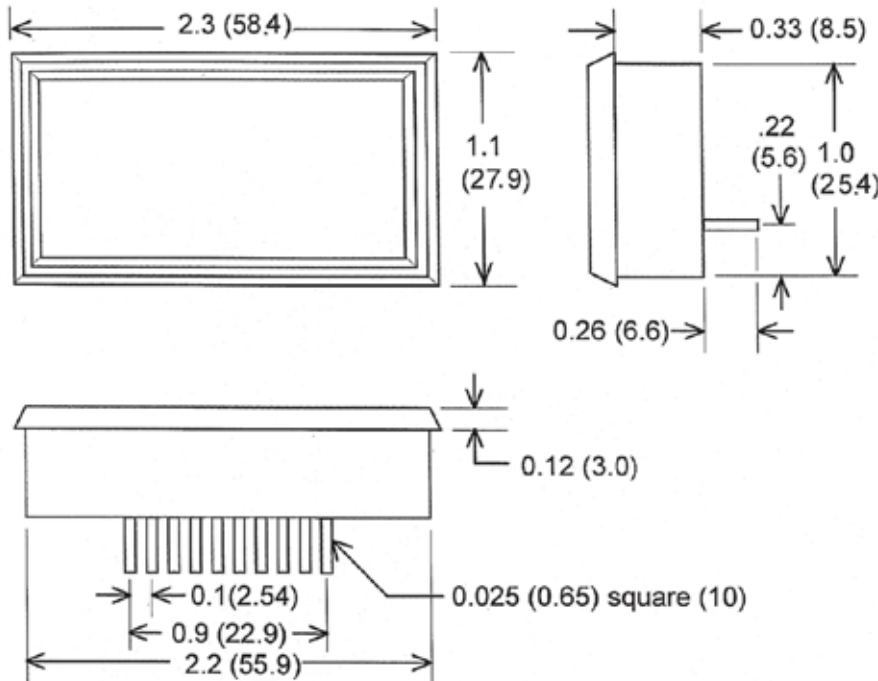
10 pins, 0.025" square
 on 0.1" centers



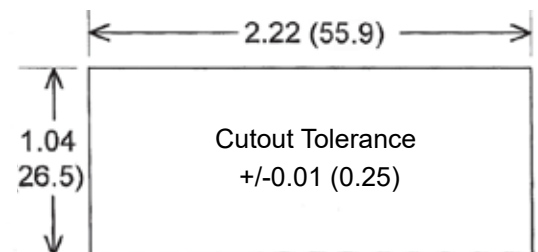
H965 Series

3.5 Digit LCD Panel Meter

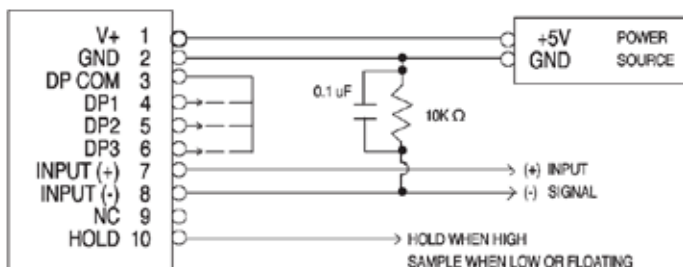
Dimensions Inches (mm)



CUTOUT



Wiring



The Input common mode range is $\pm 1\text{VDC}$. If Input (-) is not directly connected to GND, a 10k resistor network can be connected as shown to reduce unstable readings.

Unused pins should be left open.

CAUTION: Damage to the unit can occur if the power source polarity is reversed, or a greater than 6V is applied between pins 1 & 2

Pin No.	Pin Name	Description
1	+5V	+5V DPM power supply
2	GND	Power supply ground
3	DPC	Decimal point return
4	DP1	1XX.X (connect to DP COM to turn on)
5	DP2	1X.XX (connect to DP COM to turn on)
6	DP3	1.XXX (connect to DP COM to turn on)
7	INPUT(+)	Positive input signal
8	INPUT(-)	Negative input signal
9	NC	No connection required
10	NC	No connection require