



HDLA-200 Series

3.5 Digit LED Panel Meter



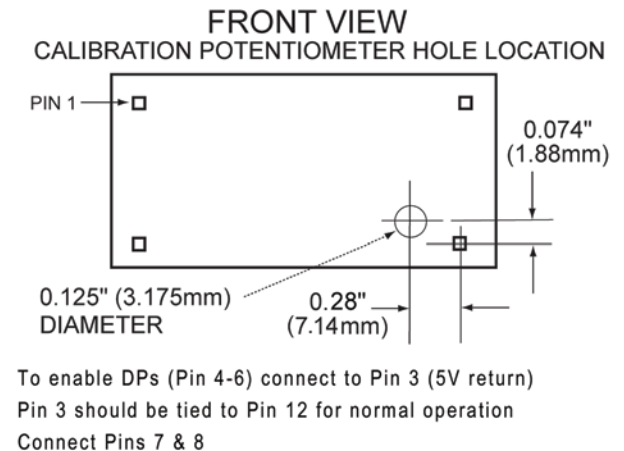
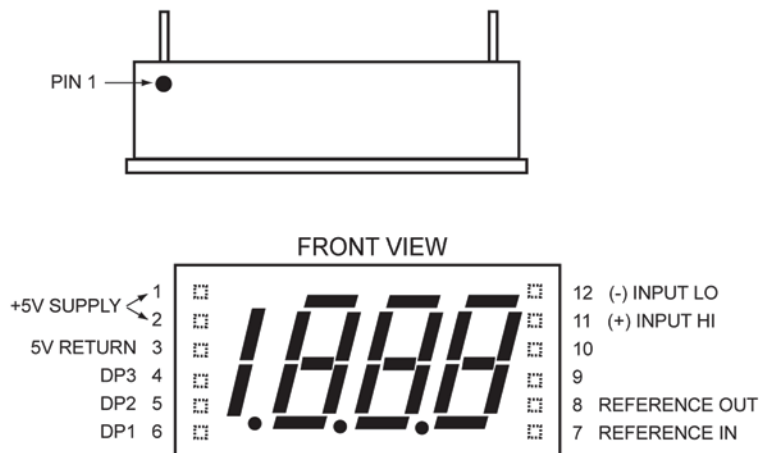
Ordering Info

Part #	Meter Color	Meter Input
HDLA-200B	BLUE	200mV
HDLA-201B	BLUE	2V
HDLA-202B	BLUE	20V
HDLA-200G	GREEN	200mV
HDLA-201G	GREEN	2V
HDLA-202G	GREEN	20V
HDLA-200R	RED	200mV
HDLA-201R	RED	2V
HDLA-202R	RED	20V

Accessories

HDLA-BEZ-20-G	Bezel Assembly
HPW2-5	Regulated 120V AC to 5V DC Power Supply
HCVC	Calibrator

Wiring



Features

- 0.37", 3½ digit high intensity LED display
- Available in RED, BLUE or GREEN.
- User-selectable decimal points.
- Polycarbonate case.
- Optional bezel mount.

Specifications

DISPLAY	
Numeral Size:	.37" (9.4 mm)
Overrange:	three lower order digits blank for inputs >1999 & < -1999
Polarity Indication:	automatic (-) for negative
Supply Voltage:	+5 VDC @ 40 mA

INPUTS

Input Ranges:	±200 mV, ± 2 V, ±20 V
Input Impedance:	1000 MΩ (200 mV) 1 MΩ (other ranges)
Common Mode Range:	± 1 VDC

PERFORMANCE

Accuracy:	±1% F.S. ± 2 counts
Sampling Rate:	3 per second

ENVIRONMENT

Operating Temperature:	0 to 50 °C
Max Humidity:	95% (non-condensing).

CONNECTION	12 pin
------------	--------



HDLA-200 Series

3.5 Digit LED Panel Meter

Dimensions

