



HDLA Series

Digital Panel Meter



Features

- 0.56", 3½ digit high intensity LED display.
- Available in RED, BLUE or GREEN.
- User-selectable decimal points.
- Polycarbonate case.
- Optional bezel mount.

Specifications

DISPLAY

- Numeral Size: .56" (14.27 mm)
- Overrange: three lower order digits blank for inputs >1999 & < -1999
- Polarity Indication: automatic (-) for negative
- Supply Voltage: +5 VDC @ 40 mA

INPUTS

- Input Ranges: ±200 mV, ± 2 V, ±20 V
- Input Impedance: 1000 MΩ (200 mV)
1 MΩ (other ranges)
- Common Mode Range: ± 1 VDC

PERFORMANCE

- Accuracy: ±1% F.S. ± 2 counts
- Sampling Rate: 3 per second

ENVIRONMENT

- Operating Temperature: 0 to 50 °C
- Max Humidity: 95% (non-condensing).

- CONNECTION: 12 pin

Ordering Info

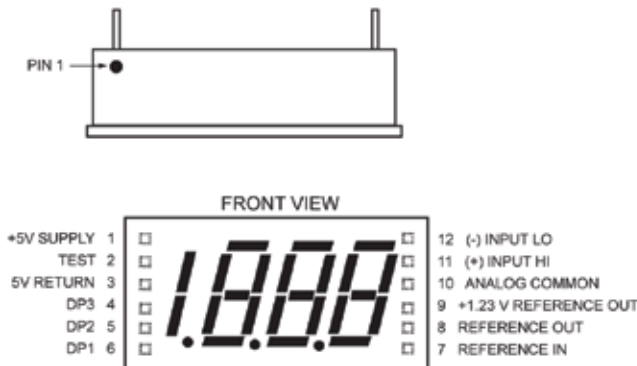
Part #	Meter Color	Meter Input
DLA-300BL	BLUE	200mV
DLA-301BL	BLUE	2V
DLA-302BL	BLUE	20V
DLA-300GL	GREEN	200mV
DLA-301GL	GREEN	2V
DLA-302GL	GREEN	20V
DLA-300HRL	RED	200mV
DLA-301HRL	RED	2V
DLA-302HRL	RED	20V

Accessories

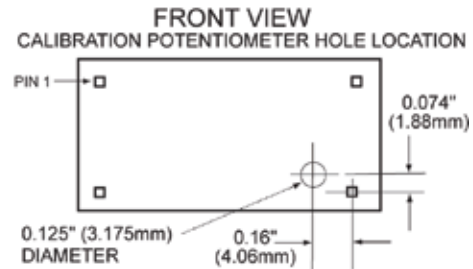
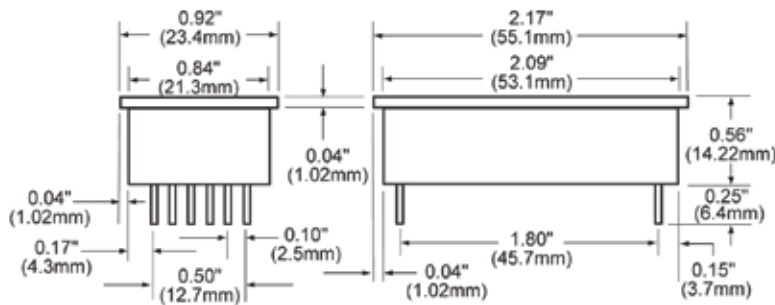
- DLA-BEZ Bezel Assembly
- PW2-5..... Regulated 120V AC to 5V DC Power Supply
- CVC Calibrator



Dimensions



Pin Dimensions: 0.025" (0.626 mm) x 0.025" (0.626 mm)



To enable DPs (Pin 4-6) connect to Pin 3 (5V return)

Pin 3 should be tied to Pin 12 for normal operation

Connect Pins 7 & 8

