



DLA20-ACA5 AC Ammeter

Digital Panel Meter



The DLA20-ACA5 Series AC Ammeters are designed to scale and digitally display the output of standard, 5A-output current transformers (50:5A, 500:5A, 1000:5A, etc.).

Features

- Scales and displays the output of 50:5A to 2000:5A current transformers.
- 14 ranges (0-50 Amp to 0-2000 Amp).
- Available in easy to read RED, BLUE or GREEN LED.
- Can be self-powered.

Specifications

DISPLAY

Numeral Size: .37" (9.4 mm)
 Overrange: three lower order digits blank
 Supply Voltage: 85-264 Vac 50/60Hz

INPUTS

Input Ranges: see ordering guide
 0-5ACA input

PERFORMANCE

Accuracy: $\pm 0.2\%$ FS ± 6 counts
 Sampling Rate: 2.5 per second

ENVIRONMENT

Operating Temperature: -10 to 50 °C
 Max Humidity: 95% (non-condensing)

CONNECTION

2 Terminal Power, Thru-Hole CT Input

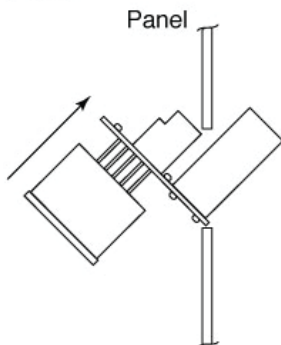
Ordering Information

| Part # | Meter Color | Meter Input |
|-----------------------------|----------------|--|
| DLA20-ACA5-X-AC1-R | RED | Replace "X" with corresponding number for meter input choice |
| DLA20-ACA5-X-AC1-B | BLUE | |
| DLA20-ACA5-X-AC1-G | GREEN | |
| Accessories Included | | |
| DLA-BEZ-20-G | Bezel Assembly | |
| | | 1 = 50.0A 8 = 400A |
| | | 2 = 75.0A 9 = 500A |
| | | 3 = 100.0A 10 = 600A |
| | | 4 = 150.0A 11 = 750A |
| | | 5 = 199.9A 12 = 1000A |
| | | 6 = 250A 13 = 1500A |
| | | 7 = 300A 14 = 1999A |

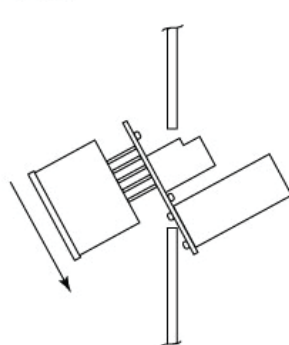
PANEL INSTALLATION

All connections to ammeters must be made after the ammeter is securely attached to the panel and with all load and supply voltages de-energized (off).

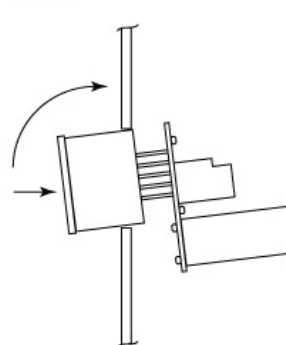
Step 1



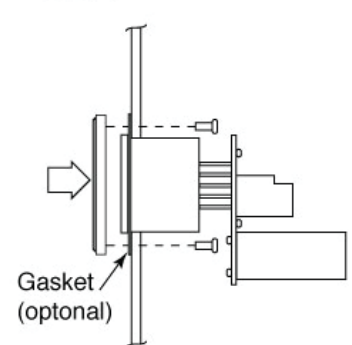
Step 2



Step 3



Step 4

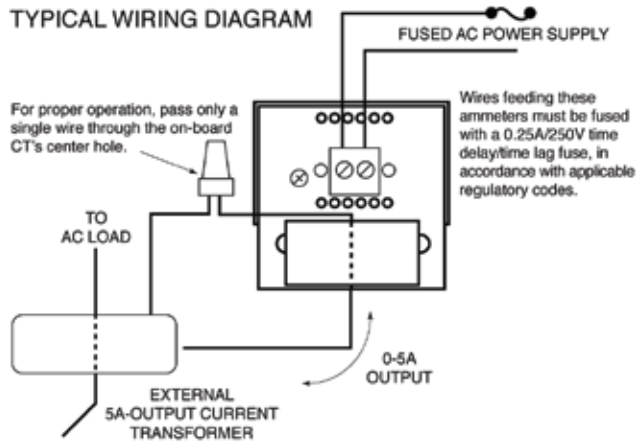




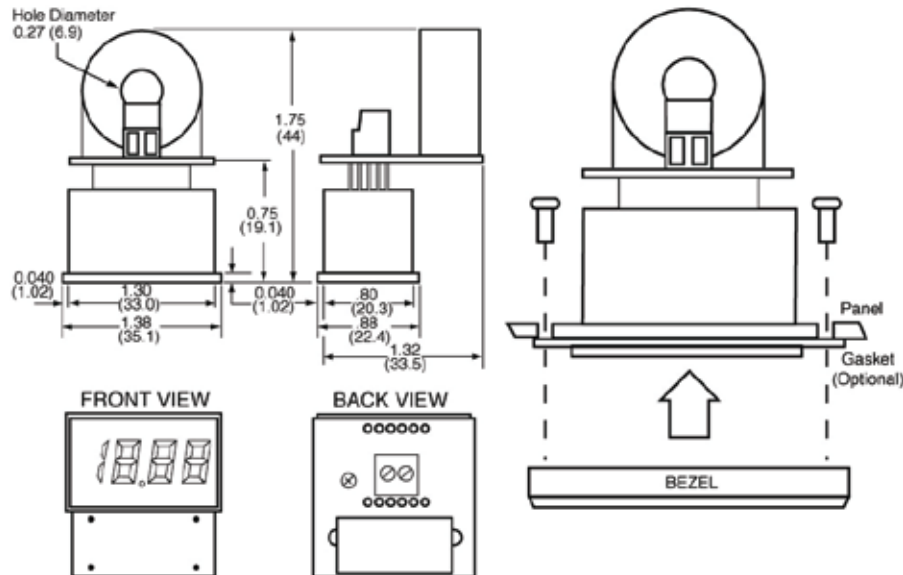
DLA20-ACA5 AC Ammeter

Digital Panel Meter

Dimensions & Wiring



Mechanical Specifications



Bezel installation & Recommended Drill & Panel Cutout

