



DLA20-DCM DC Voltmeter

Digital Panel Meter



**DLA20-DCM SERIES - Self Powered,
Positive Input LED Display,
DC Voltage**

Features

- Screw terminals
- Available in easy to read RED, BLUE or GREEN LED
- Self Powered

Specifications

DISPLAY

Numeral Size: .37" (9.4 mm)
 Overage: three lower order digits blank
 Supply Voltage: self powered

INPUTS

Input Ranges: see ordering info

PERFORMANCE

Accuracy: 1% scale (Typ) 2% (Max)
 Sampling Rate: 2.5 per second

ENVIRONMENT

Operating Temperature: -10 to 50 °C
 Max Humidity: 95% (non-condensing)

CONNECTION

2 screw terminals

Ordering Information

<i>PART NUMBER</i>	<i>METER COLOR</i>	<i>METER INPUT</i>
DLA20-DCM-R-0.....	RED	+4.50 to +19.99V
DLA20-DCM-B-0.....	BLUE.....	+4.50 to +19.99V
DLA20-DCM-G-0.....	GREEN	+4.50 to +19.99V
DLA20-DCM-R-1.....	RED	+8.0 to +50.0V
DLA20-DCM-B-1.....	BLUE.....	+8.0 to +50.0V
DLA20-DCM-G-1.....	GREEN	+8.0 to +50.0V
DLA20-DCM-R-2.....	RED	+30 to +264V
DLA20-DCM-B-2.....	BLUE.....	+30 to +264V
DLA20-DCM-G-2.....	GREEN	+30 to +264V

ACCESSORIES INCLUDED

DLA-BEZ-20-GBezel Assembly

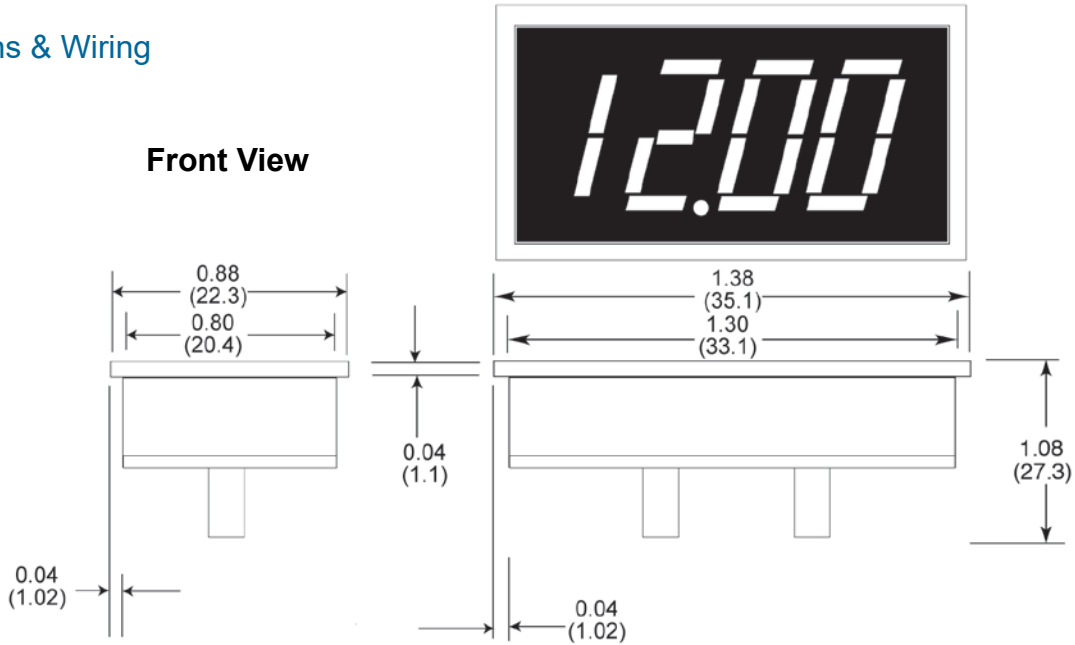


DLA20-DCM DC Voltmeter

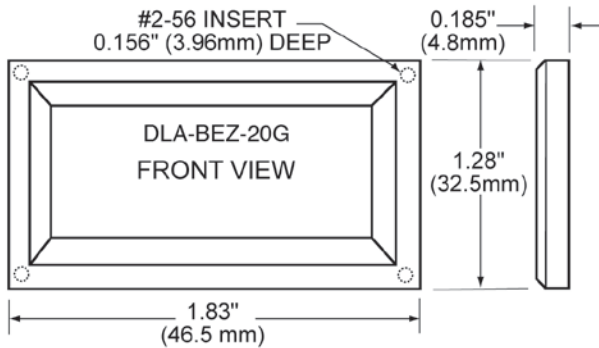
Digital Panel Meter

Dimensions & Wiring

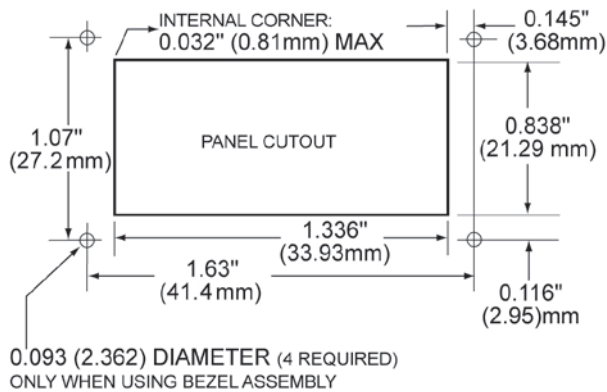
Front View



Bezel Assembly



Recommended panel cut-out



Back View

