



DLA20-LM AC Voltmeter

Digital Panel Meter

DLA20-LM SERIES - Self Powered, 3 Digit LED Display, AC Line Voltage

Features

- Screw terminals
- Available in easy to read RED, BLUE or GREEN LED
- Full-wave averaging
- Self Powered

Specifications

DISPLAY

Numeral Size: .37" (9.4 mm)
 Overrange: three lower order digits blank
 Freq Range: 47-63Hz
 Supply Voltage: self powered

INPUTS

Input Ranges: 85-264Vrms

PERFORMANCE

Accuracy: $\pm 1V$ (Typ) $\pm 2V$ (Max)
 Sampling Rate: 2.5 per second
 Measurement Type: full wave averaging

ENVIRONMENT

Operating Temperature: -10 to 50 °C
 Max Humidity: 95% (non-condensing)

CONNECTION

2 screw terminals



Ordering Information

Part #	Meter Color	Meter Input
DLA20-LM-R-1.....	RED	85-264Vrms
DLA20-LM-B-1.....	BLUE.....	85-264Vrms
DLA20-LM-G-1	GREEN	85-264Vrms

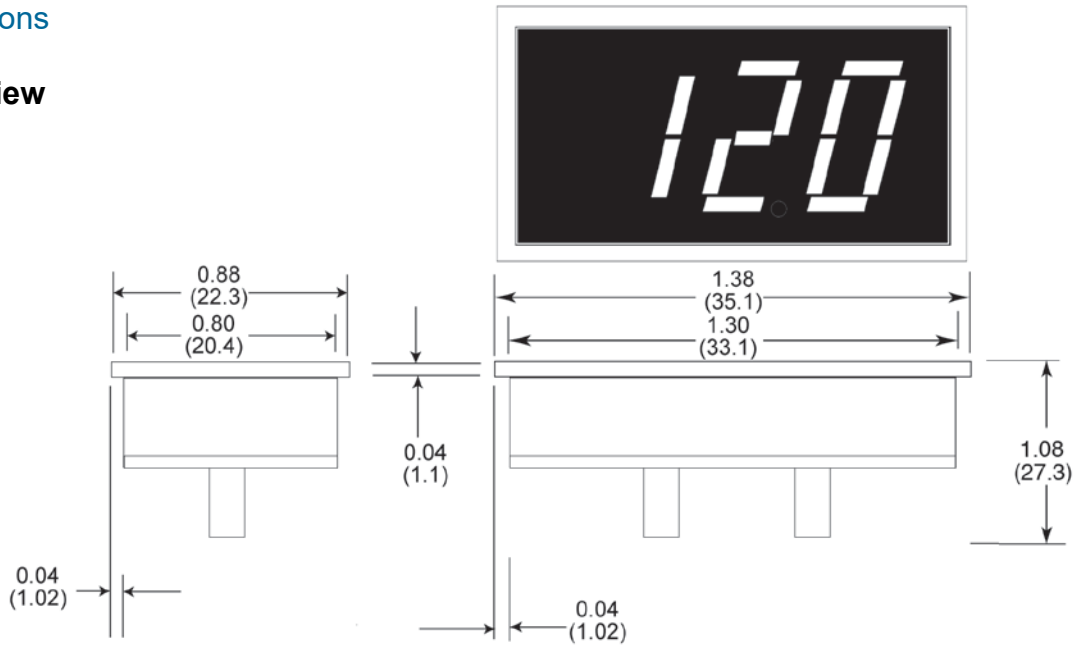
Accessories Included

DLA-BEZ-20-GBezel Assembly

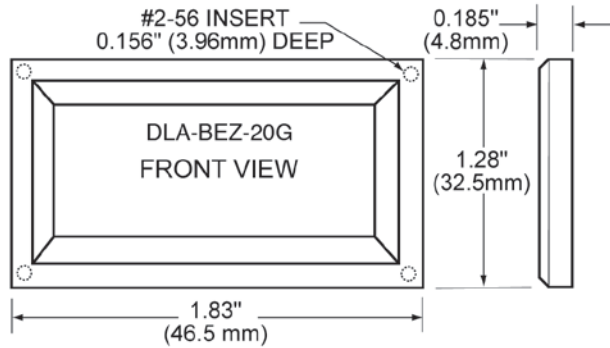


Dimensions

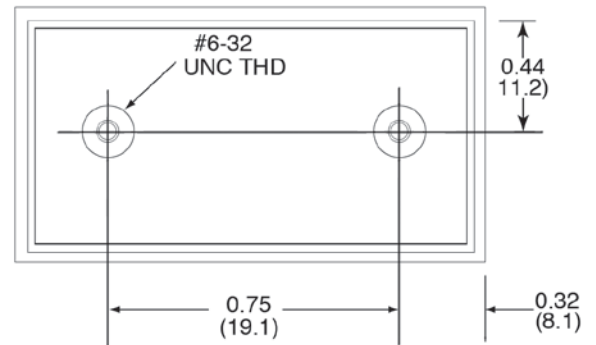
Front View



Bezel Assembly



Back View



Recommended panel cut-out

