



# HDMO-3xx Series

## 3.5 Digit LED Panel Meter



### Features

- 3½ digits with 0.56" RED or GREEN LED.
- Window mount with optional bezel.
- User-selectable decimal points.

### Ordering Information

Part #	Meter Color	Meter Power
HDMO-35HR	RED	200mV DC
HDMO-36HR	RED	2V DC
HDMO-37HR	RED	20V DC
HDMO-35G	GREEN	200mV DC
HDMO-36G	GREEN	2VDC
HDMO-37G	GREEN	20VDC
3XEC		NEMA Enclosure
LED-B	Optional Bezel Mounting Kit	
C10-5	5" - 10 Pin Connector / Wire Assembly	
J1C10	12" - 10 Pin Connector / Wire Assembly	
PW2-5	Regulated 120V AC to 5V DC Power Supply	
CVC	Calibrator	

### 3½ Digit LED Display for voltage inputs

### Specifications

#### Display

Digits:	3 ½ digits (±1999 counts)
Type:	7- segment LED (red or green)
Digit Height:	.56 in (14.2 mm)
Polarity Indication:	Automatic "-" for neg input
Decimal Point:	3 position selectable
Overrange:	Three lower order digits blank for inputs >1999 & < -1999

#### Inputs

Configuration:	bipolar, differential
Full-Scale Input:	±200 mV, ±2 V, ±20 V
Input Offset Adjustment:	Auto zero
Input Impedance:	>100 MΩ (±200 mV), -1 MΩ (other ranges)
Common Mode Range:	±1 VDC
Common Mode Rej:	>86 dB
Protection:	±350 VDC (±100 VDC for 200 mV range)
Input Bias Current:	1 pA typical, 100 pA max
Control Inputs:	Decimal point select, span adjust trimpot

#### Performance

Sampling Rate:	3.3 readings / s
Accuracy:	± (0.1% + 2 counts) typical ±(0.2% + 2 counts) max
Warmup:	10 minutes typical
Temperature Coeff.:	± 100 ppm per °C typical

#### Power Supply

Supply Voltage:	+5 VDC ±5%
Supply Current, typical:	200 mA

#### Environment

Operating Temperature:	0 to 50°C
Storage Temperature:	-10 to 60°C
Relative Humidity:	0 to 95% non-condensing

#### Physical

Package Style:	Window mount
Dimensions:	2.52 x 1.10 x .73
Panel Cutout:	2.05 x .81
Weight:	0.7 oz (20 g)
Bezel:	Optional

#### Connection

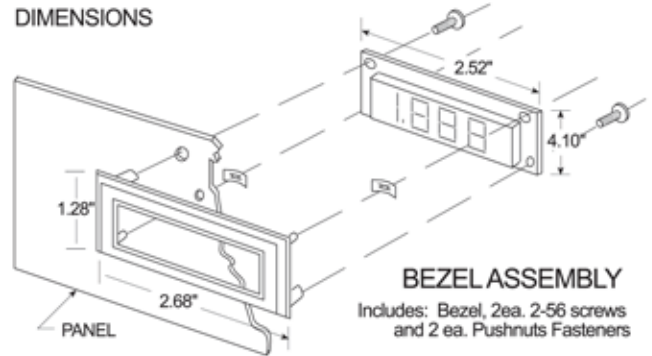
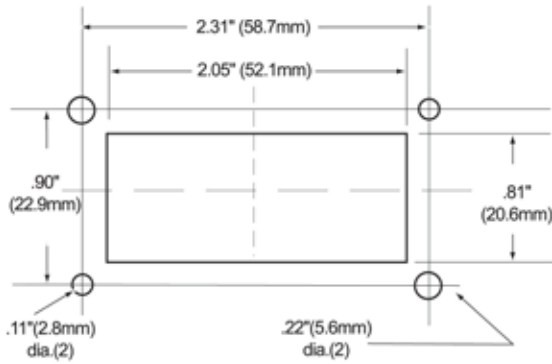
Connector:	10 pin J1C-10 or C10-5 optional
------------	------------------------------------



# HDMO-3xx Series

## 3.5 Digit LED Panel Meter

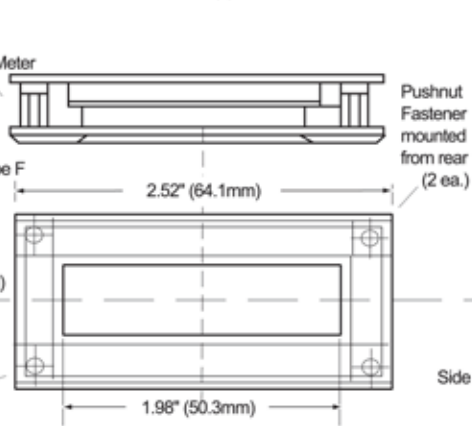
### Dimensions



Top View  
Digital Panel Meter

2-56 UNC Type F  
self-tapping  
screw  
installed  
from rear  
(2ea. provided)

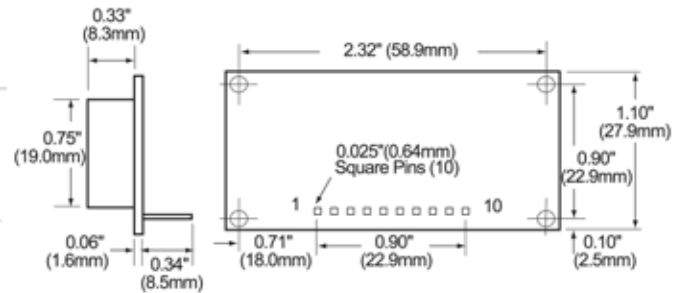
Front View of  
Digital Panel Meter



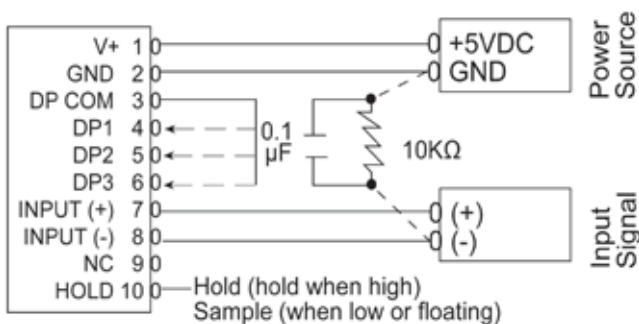
Panel  
Thickness

Pushnut  
Fastener  
mounted  
from rear  
(2 ea.)

Side View



### Wiring & Calibration



Pin #	Pin Name	Description
1	V+	+5V Power Supply
2	GND	Power Supply Ground
3	DP COM	Decimal Point Return
4	DP1	1XX.X (Connect To Dp Com To Turn On)
5	DP2	1X.XX (Connect To Dp Com To Turn On)
6	DP3	1.XXX (Connect To Dp Com To Turn On)
7	INPUT(+)	Positive Input Signal
8	INPUT(-)	Negative Input Signal
9	NC	No Connection Required
10	NC	No Connection Required