



HDMO-6 Series

3.5 Digit LCD Panel Meter



Features

- Space saving design only 0.67" (17mm) deep.
- Occupies less than 2.5 x 1.1 inches of front panel space.
- High contrast LCD.
- 3½ digits with 0.39" LCD.
- Snap-In bezel eliminates the need for mounting hardware.
- Low power requirement (3mA) is ideal for battery powered applications.
- User-selectable Decimal Points.

Ordering Information

Part Number	Meter Input
HDMO-65T	200mV
HDMO-66T	2V
HDMO-67T	20V
C10-5	5" - 10 Pin Connector / Wire Assembly
J1C10	12" - 10 Pin Connector / Wire Assembly
PW2-5	Regulated 120V AC to 5V DC Power Supply.
CVC	Calibrator

3½ Digit LCD

Specifications

Display

Digits: 3 ½ digits (±1999 counts)
Type: 0.39" (10mm) high contrast reflective LCD
Polarity: automatic, "-" displayed
Decimal Points: 3 position, user-selectable
Overrange: three lower order digits blank for inputs >1999 & < -1999

Inputs

Ranges: ±200.0 mV, ±2.000 V, ±20.00 VDC
Configuration: bipolar, differential
Protection: ±350 VDC, (±100 VDC on 200 mV range)
Impedance: >1 MΩ, (>10 MΩ on 200 mV range)

Performance

Accuracy: ±(0.1% + 1 counts) typical
±(0.2% + 2 counts) maximum
Conversion Rate: 3 per second
Normal Mode Rejection: >30 dB @ 60 Hz
Common Mode Range: ±1 VDC
Common Mode Rej.: >86 dB
Zero Adjustment: automatic
Warmup: 10 minutes typical
Temperature Coeff.: ± 100 ppm per °C typical

Environment

Operating Range: 0 to 50 °C
Storage Range: -10 to 70 °C

Power Supply

Voltage: +5 VDC (±5%)
Current: 3 mA

Mounting

snap-in bezel mount

Connection

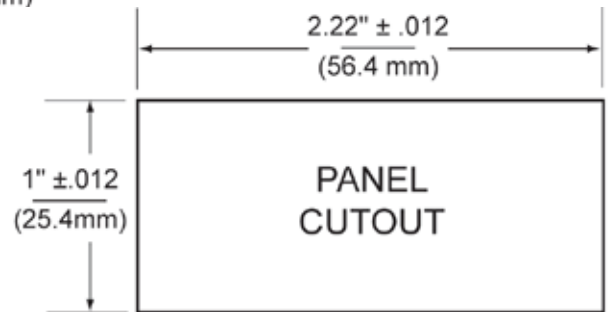
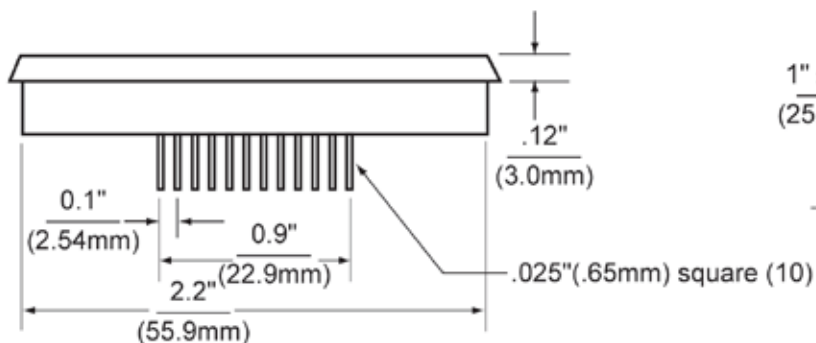
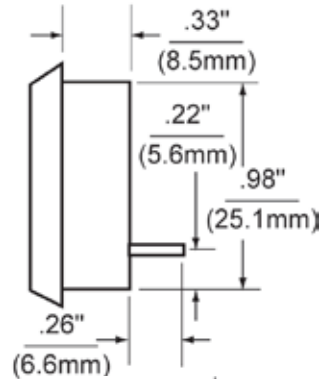
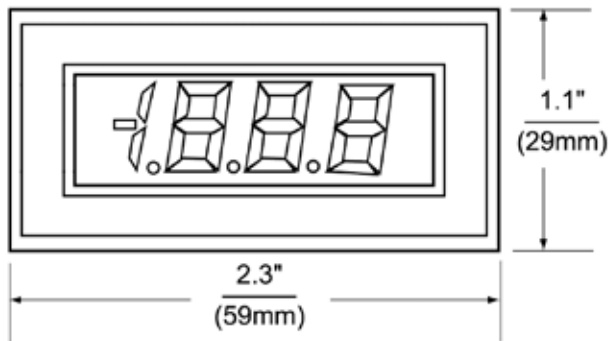
10 pins, 0.025" square on 0.1" centers



HDMO-6 Series

3.5 Digit LCD Panel Meter

Dimensions Inches (mm)



Wiring

Pin Name	Description
+5V	+5V DPM POWER SUPPLY
GND	DPM POWER SUPPLY GROUND
DP.C	DECIMAL POINT RETURN
DP.1	1XX.X
DP.2	1X.XX
DP.3	1.XXXX
IN (+)	POSITIVE INPUT SIGNAL
IN (-)	NEGATIVE INPUT SIGNAL
NC	NO CONNECTION REQUIRED
NC	NO CONNECTION REQUIRE