



HLPI-800 Series

3.5 Digit Loop Powered LCD Panel Meter



Large 1" - 3½ Digit Loop Powered DPM

Specifications

Display

Digits: 3 ½ digits (±1999 counts)
 Type: 1" (24.9 mm) 7 segment high contrast LCD
 Polarity: automatic, "-" displayed
 Annunciators: °F, °C, PSI, %, user-selectable or V, A, KW, PF
 Decimal Points: 3 position, user-selectable
 Overrange: three lower order digits blank for inputs >1999 & < -1999

Inputs

Current Range: 4 to 20mA
 Configuration: single ended
 Impedence: 390 KΩ min.

Performance

Accuracy: ±(0.05% of full scale + 1 count)
 Conversion Rate: 3 per second
 Normal Mode Rejection: >30 dB @ 60 Hz
 Adjustments: 25 turn potentiometers
 Warmup: 10 minutes typical
 Temperature Coeff.: ± 100 ppm per °C typical
 Offset Range: -1999 to +1999
 Gain Range: 1 to 1999 (custom ranges available)

Environment

Operating Range: -10 to 50 °C
 Storage Range: -10 to 75 °C

Power Supply

Loop Powered: 300Ω nominal at 20 mA (LPI)
 Backlighting: 35 mA typical @ 24 VDC

Mounting

snap-in bezel mount
 or clamp and gasket (included)

Connection

screw terminals

Features

- Large 1", 3½ digit display for easy viewing.
- User-selectable decimal points.
- User-selectable engineering units.
- Non-backlit LCD or choice of AMBER, GREEN, RED or BLUE backlit LCD.
- Wide ZERO (Offset) & SPAN (Gain) adjustment.
- Standard 1/8 DIN package.
- Snap-in panel mounting.
- Gasket and clamp provided for NEMA 4, NEMA 12 & IP66 applications.

Ordering Information

Part Number	Backlight Color	Backlight Power
HLPI-807*	No Backlight	None
HLPI-807*A	Amber	24VDC
HLPI-807*B	Blue	24VDC
HLPI-807*G	Green	24VDC
HLPI-807*R	Red	24VDC

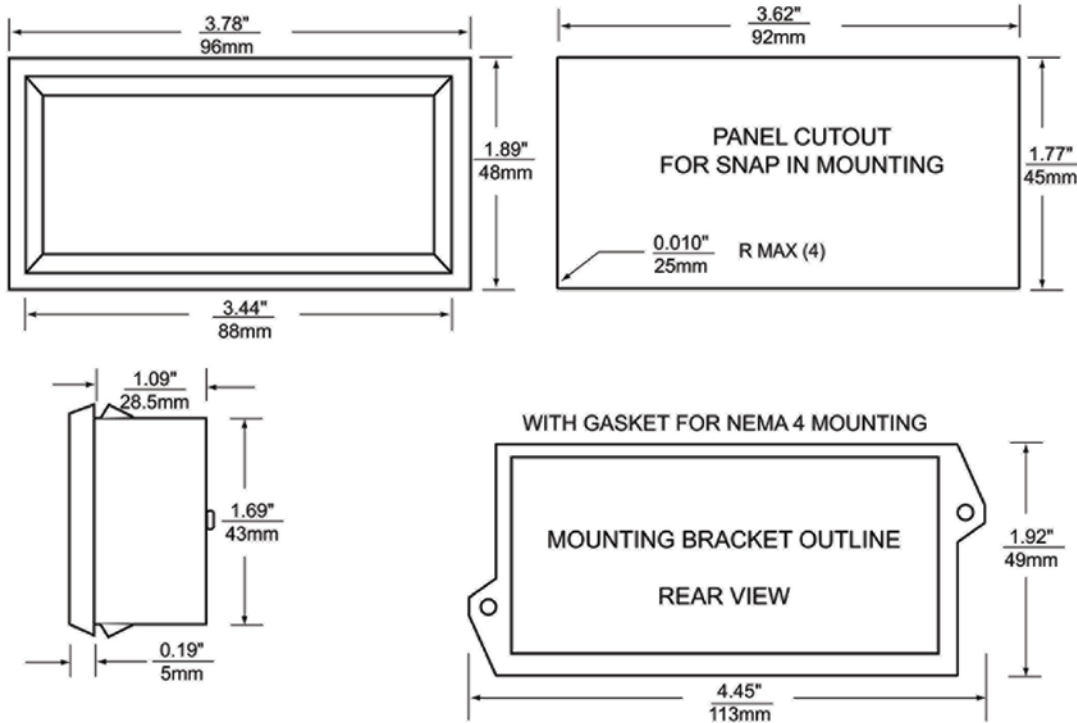
*Add (P) for Power Engineering Units V, A, KW, PF



HLPI-800 Series

3.5 Digit Loop Powered LCD Panel Meter

Dimensions



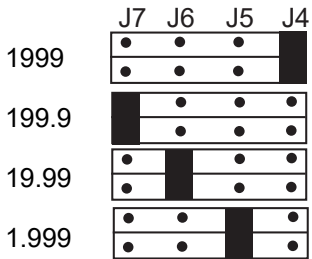
Inches
mm

NOTES:

1. Panel thickness is: 0.032"/0.81mm to 0.25"/6.35mm
2. Gasket supplied is: 0.075"/1.9mm thick

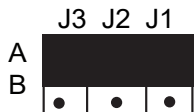
Wiring

1. Decimal Selection:

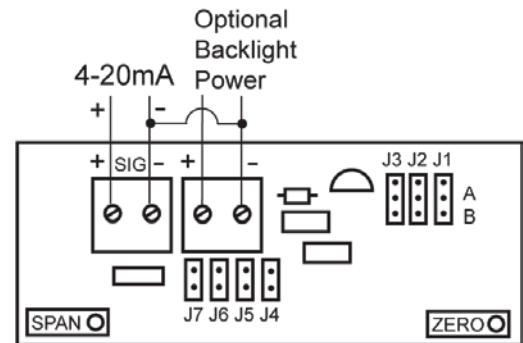
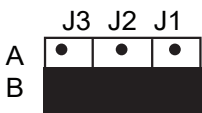


2. J1, J2, J3 Selection:

IF: Offset (Zero) IS ≤ 0 OR
Offset (Zero) > 0 AND Gain (Span) \div Offset (Zero) ≥ 5



IF: Offset (Zero) > 0 AND Gain (Span) \div Offset (Zero) < 5



NOTE: If backlight supply is not loop supply, ground should be referenced together

