



## 3.5 Digit Loop Powered LCD Panel Meter



3½ Digit Flat Pack LCD with Loop Powered Adder Board

### Features

- Low-cost, high-performance replacement for many OEM DPMs.
- Surface or inside panel mounting.
- Resistant to RF and EMI.
- 3½ digits with high-contrast LCD.
- 4-20 mA loop powered input.

### Specifications

#### Display

Digits: 3 ½ digits (±1999 counts)  
Type: 0.5" (12 mm) 7 segment LCD  
Polarity: automatic, "-" displayed  
Decimal Points: 3 position, user-selectable  
Overrange: three lower order digits blank for inputs >1999 & < -1999

#### Inputs

Ranges: Ranges: 4-20 mA DC  
Configuration: bipolar, differential  
Protection: 30 mA max.  
Loop Burden: 300Ω nominal

#### Performance

Accuracy: ±(0.1% fs + 2 count)  
Conversion Rate: 3 per second  
Normal Mode Rejection: >30 dB @ 60 Hz  
Adjustments: span (gain) and zero (offset)  
Warmup: 10 minutes typical  
Temperature Coeff.: ± 100 ppm per °C typical

#### Environment

Operating Range: 0 to 50 °C  
Storage Range: -20 to 70 °C

#### Power Supply

powered by the milliamp control loop

#### Mounting

surface

#### Connection

2 screw terminal

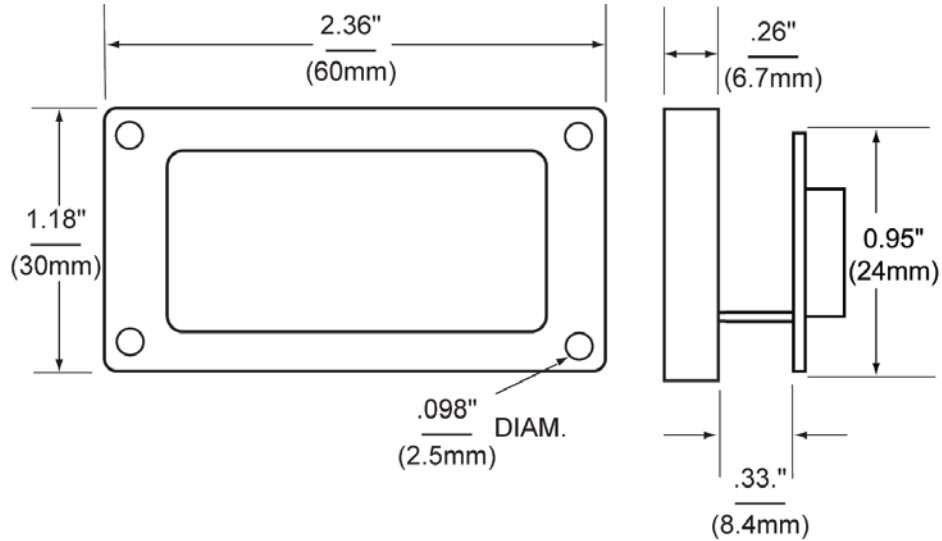
### Ordering Information

**Part Number:** HLPI-J1



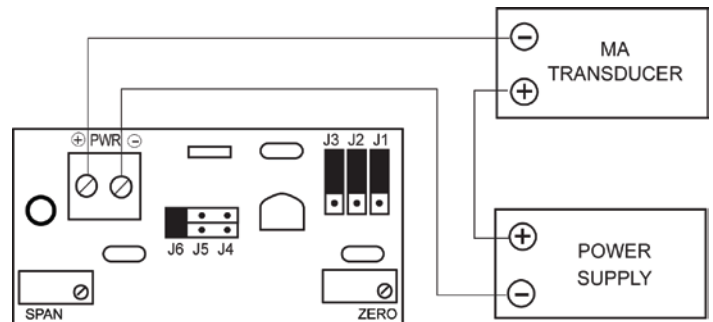
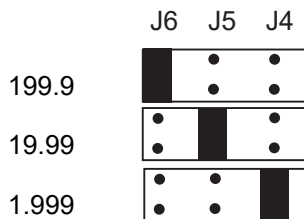
## 3.5 Digit Loop Powered LCD Panel Meter

### Dimensions



### Wiring

#### 1. Decimal Selection:



#### 2. J1, J2, J3 Selection:

IF: Offset (Zero) IS 0 **OR**

Offset (Zero) > 0 **AND** Gain (Span) ÷ Offset (Zero) ≥ 5

IF: Offset (Zero) > 0 **AND** Gain (Span) ÷ Offset (Zero) < 5

