



# HPW2 DC Power Supply

## Digital Panel Meters



The HPW2 converts AC line voltage to regulated DC output. This compact power supply may be used to power various DC operated peripherals and inputs/output modules on PLCs or transmitters in process control.

### Features

- Regulated power outputs of 5 VDC, 12 VDC and 24 VDC.
- 120V/60Hz Input.
- Screw terminal connections.
- Easily mounted in any plane.
- Voltage output.
- Output DC voltages are isolated from AC line.

### Specifications

#### Voltage

Input : 120 VAC  $\pm$  5% / 60 Hz (external fuse recommended)  
 Output: 5 V  $\pm$  0.2 VDC @ 300 mA  
 12 V  $\pm$  0.5 VDC @ 200 mA  
 24 V  $\pm$  1 VDC @ 100 mA

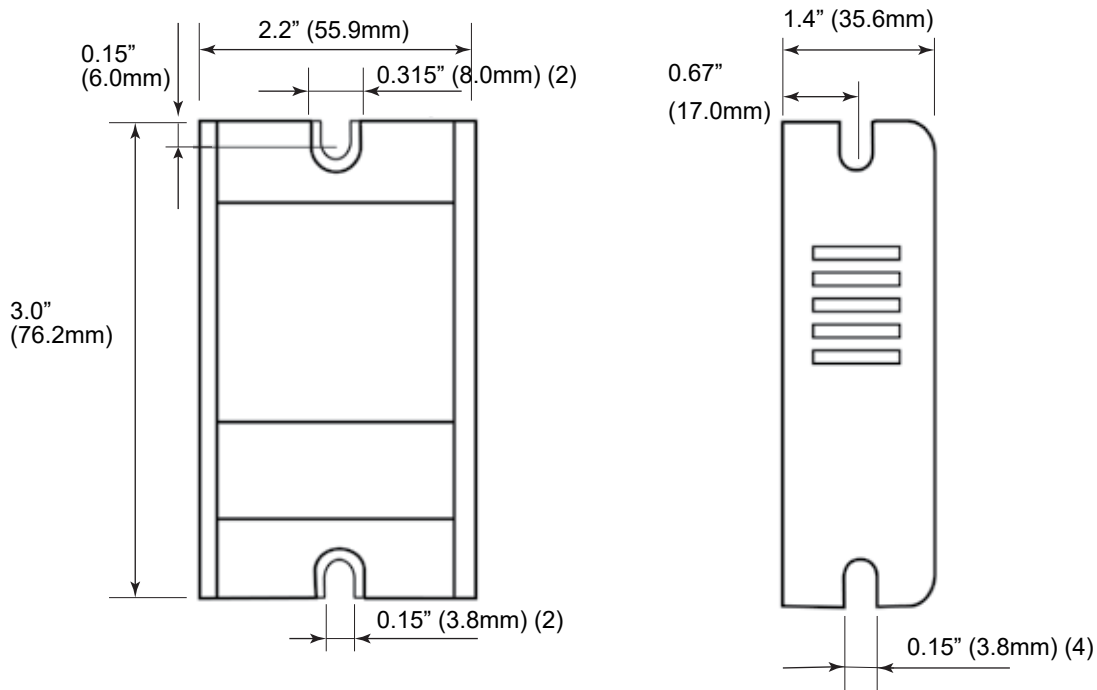
#### General

Operating Temperature: 0 to 55°C (32 to 130°F)  
 Max. Humidity: 95% RH, noncondensing  
 Weight: 0.38 lb.  
 Mounting: side or base

### Ordering Information

| Part Number | Input  | Output         |
|-------------|--------|----------------|
| PW2-5       | 120 AC | 5 VDC @ 300mA  |
| PW2-12      | 120 AC | 12 VDC @ 200mA |
| PW2-24      | 120 AC | 24 VDC @ 100mA |

### Dimensions



**Hoyt Electrical Instrument Works, Inc.**

23 Meter Street  
 Penacook, NH 03303

Phone: (800) 258-3652  
 Fax: (603) 753-9592  
 Email: sales@hoytmeter.com

[www.hoytmeter.com](http://www.hoytmeter.com)