



HVPI-24 Series

3.5 Digit Voltage Powered LCD Panel Meter



Large 1" - 3½ Digit AC/DC Powered,
Voltage Controlled LCD DPM

Features

- Large 1", 3½ digit display for easy viewing..
- User-selectable decimal points.
- User-selectable engineering units.
- Optional AMBER, GREEN, RED or BLUE backlit LCD.
- Wide ZERO (Offset) & SPAN (Gain) adjustment.
- Standard 1/8 DIN package.
- Snap-in panel mounting.

Specifications

Display

Digits: 3 ½ digits (±19999 counts)
 Type: 1" (24.9 mm) 7 segment high contrast LCD
 Polarity: automatic, "-" displayed
 Annunciators: °F, °C, PSI, %, user-selectable or V, A, KW, PF
 Decimal Points: 3 position, user-selectable
 Overrange: three lower order digits blank for inputs
 >1999 & < -1999

Inputs

Ranges: 5 V, 10 V adjustable, 200mV fixed
 Configuration: single ended

Performance

Accuracy: ±(0.05% of full scale + 1 count)
 Conversion Rate: 3 per second
 Normal Mode Rejection: >30 dB @ 60 Hz
 Adjustments: 25 turn potentiometers
 Warmup: 10 minutes typical
 Temperature Coeff.: ± 100 ppm per °C typical
 Offset Range: -1999 to +1999
 Gain Range: 1 to 1999 (custom ranges available)

Environment

Operating Range: -10 to 50 °C
 Storage Range: -40 to 75 °C

Power Supply

12/24 DC

Mounting

snap-in panel mount

Connection

screw terminals

Ordering Information

Part Number	Backlight Color	Meter Input	Backlight Power
HVPI-24*AC	No Backlight	Voltage	24VAC/DC
HVPI-A24*AC	Amber	Voltage	24VAC/DC
HVPI-B24*AC	Blue	Voltage	24VAC/DC
HVPI-C24*AC	Green	Voltage	24VAC/DC
HVPI-R24*AC	Red	Voltage	24VAC/DC

*Add (P) for Power Engineering Units V, A, KW, PF

Accessories

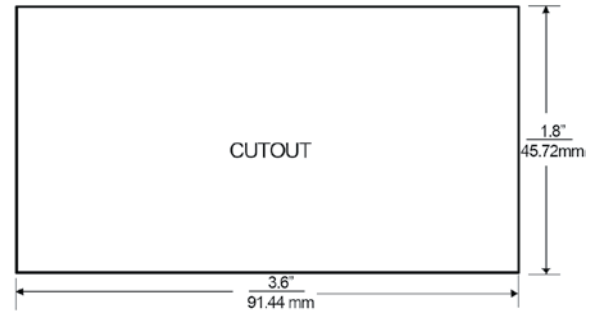
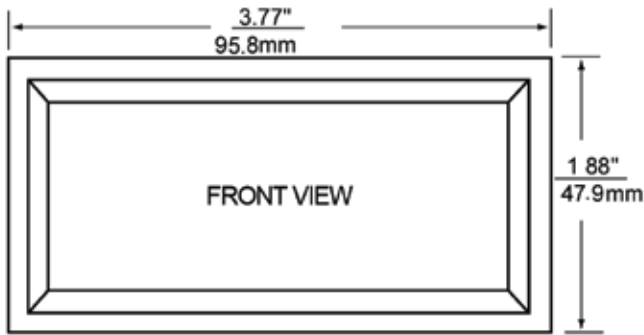
HCVC Calibrator



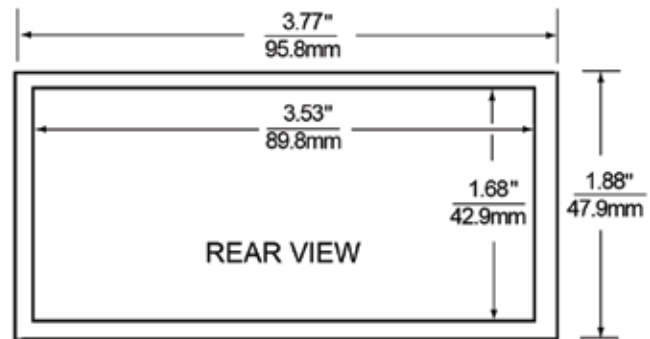
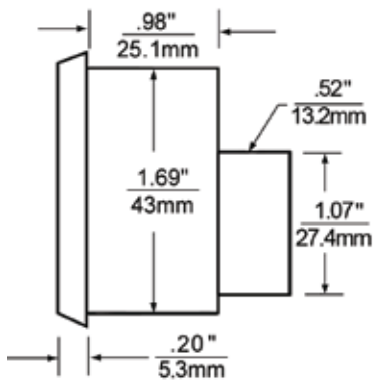
HVPI-24 Series

3.5 Digit Voltage Powered LCD Panel Meter

Dimensions



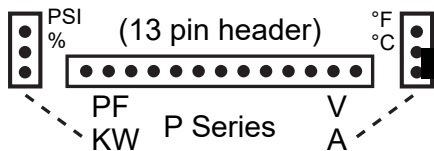
Inches
mm



Wiring

Lower Board

LCD ONLY: To enable annunciators



Upper Board

