



HVPI-3-XEC Series

3.5 Digit LCD Panel Meter

3½ Digit LCD with Loop Powered Board



Specifications

DISPLAY

Digits: 3 ½ digits (±1999 counts)
 Type: .45" (11.4 mm)
 7 segment high contrast LCD
 automatic, "-" displayed
 Polarity: °F, °C, PSI, %, user-selectable
 Annunciators: °F, °C, PSI, %, user-selectable
 Decimal Points: 3 position, user-selectable
 Overrange: three lower order digits blank for inputs >1999 & < -1999

INPUTS

Voltage Ranges: 5 V, 10 V adjustable, 200mV fixed
 Configuration: single ended
 Impedance: 390KΩ

PERFORMANCE

Accuracy: ±(0.05% of full scale + 1 count)
 Conversion Rate: 3 per second
 Normal Mode Rejection: >30 dB @ 60 Hz
 Warmup: 10 minutes typical
 Temperature Coeff.: ± 100 ppm per °C typical
 Adjustments: 25 turn potentiometers
 Offset Range: -1999 to +1999
 Gain Range: 1 to 1999
 (custom ranges available)

ENVIRONMENT

Operating Range: 10 to 50 °C
 Storage Range: -10 to 75 °C

POWER SUPPLY

12/24 DC

MOUNTING

snap-in panel mount or clamp and gasket (included)

CONNECTION

screw terminals

Features

- Low-cost, high-performance replacement for many OEM DPMs.
- Optional RED, GREEN, AMBER or POS GREEN backlit LCD.
- Snap-in bezel mount eliminates mounting hardware.
- Resistant to RF and EMI.
- 3½ digits with high-contrast LCD.
- 4-20 mA loop powered input.
- User-selectable, displayed engineering units.

Ordering Info

| Part Number | Backlight Color | Meter Input | Meter Power |
|--------------------|--------------------|--------------|-------------|
| HVPI-3-XEC | NO Backlight | Voltage..... | 12/24VDC |
| HVPI-3A-XEC..... | AMBER | Voltage..... | 12/24VDC |
| HVPI-3G-XEC | GREEN | Voltage..... | 12/24VDC |
| HVPI-3R-XEC..... | RED | Voltage..... | 12/24VDC |
| HVPI-3GP-XEC | POS GREEN | Voltage..... | 12/24VDC |

Hoyt Electrical Instrument Works, Inc.

23 Meter Street
 Penacook, NH 03303

Phone: (800) 258-3652
 Fax: (603) 753-9592
 Email: sales@hoytmeter.com

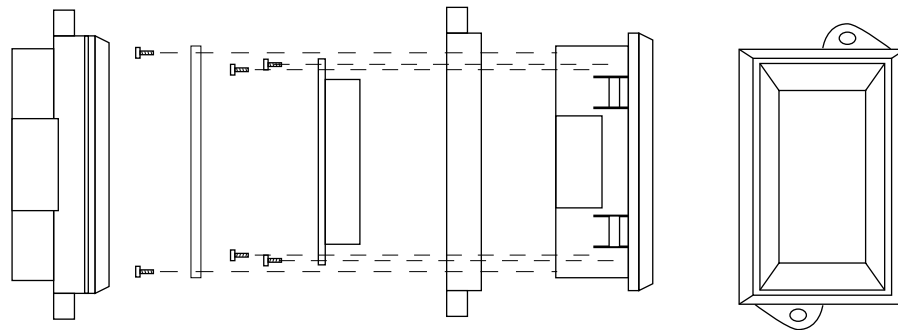
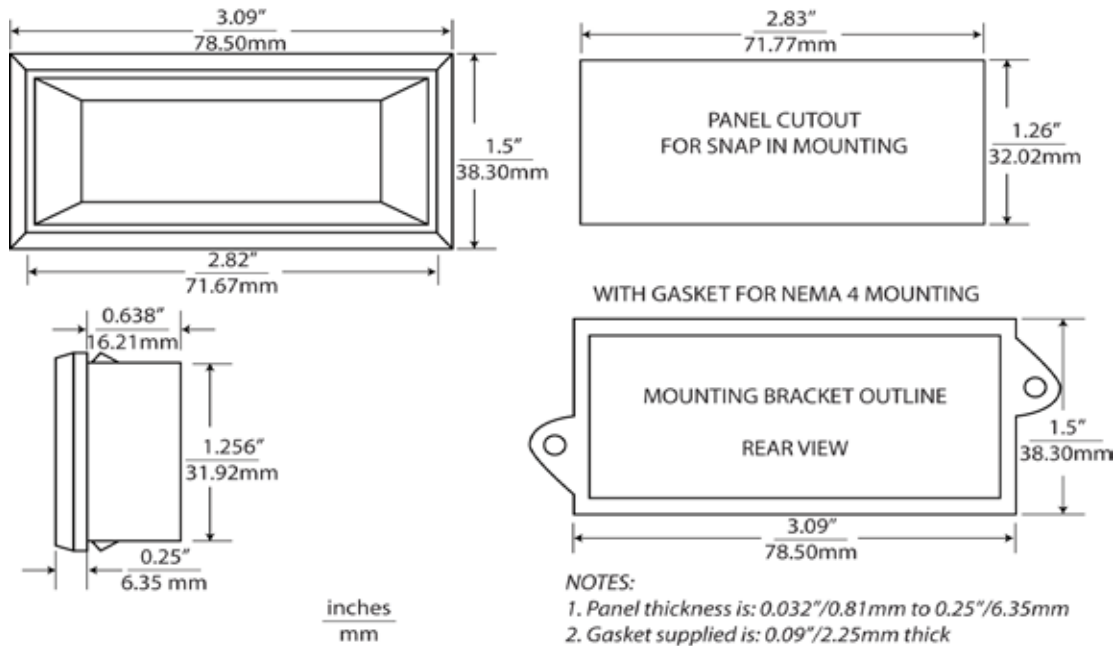
www.hoytmeter.com



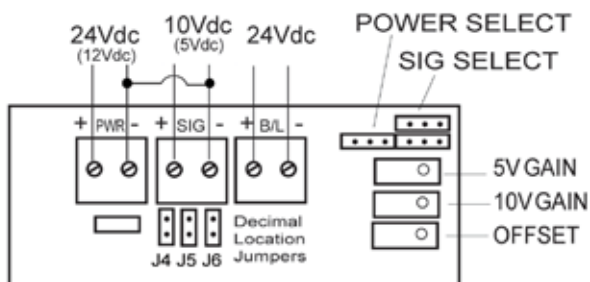
HVPI-3-XEC Series

3.5 Digit LCD Panel Meter

Dimensions



Wiring



Decimal Point Selection

1. Locate jumpers J4 through J6 in the middle of the circuit board unit.

2. Jumper the appropriate decimal location as follows:

- J4 - 000.0
- J5 - 00.00
- J6 - 0.000
- None - 0000



(13 pin header)



(lower)