



# HVPI-4-XEC Series

## 4.5 Digit LCD Panel Meter



### Adjustable Voltage Powered 4½ Digit LCD

#### Specifications

##### Display

Digits: 4 ½ digits (±19999 counts)  
 Type: 0.45" (11.4 mm) 7 segment LCD

##### Backlighting:

Optional Red Negative  
 (red numbers/black background)  
 Optional Green Negative  
 (green numbers/black background)  
 Optional Amber Negative  
 (amber numbers/black background)  
 Optional Green Positive  
 (black numbers/green background)

##### Polarity:

automatic, "-" displayed

##### Annunciators:

°F, °C, PSI, % user-selectable

##### Decimal Points:

4 position, user-selectable

##### Overrange:

four lower order digits blank  
 for inputs >19999 & < -19999

##### Inputs

Ranges: 5 V, 10 V adjustable, 200mV fixed  
 Configuration: single ended  
 Impedance: 390KΩ.

##### Performance

Accuracy: ±(0.05% of full scale + 1 count)  
 Conversion Rate: 3 per second  
 Normal Mode Rejection: >30 dB @ 60 Hz  
 Adjustments: 25 turn potentiometers  
 Warmup: 10 minutes typical  
 Temperature Coeff.: ± 100 ppm per °C typical  
 Offset Range: -19999 to +19999  
 Gain Range: 1 to 19999  
 (custom ranges available)

##### Environment

Operating Range: -10 to 50 °C  
 Storage Range: -40 to 75 °C

##### Power Supply

12/24 DC

##### Mounting

snap-in panel mount  
 or clamp and gasket (included)

##### Connection

screw terminals

#### Features

- .45", 4½ digit display.
- User-selectable decimal points.
- User-selectable engineering units.
- Non-backlit LCD or choice of AMBER, GREEN, RED or POS GREEN backlit LCD.
- Wide ZERO (Offset) & SPAN (Gain) adjustment.
- Snap-in panel mounting.
- Gasket and clamp provided for NEMA 4, NEMA 12 & IP66 applications

#### Ordering Information

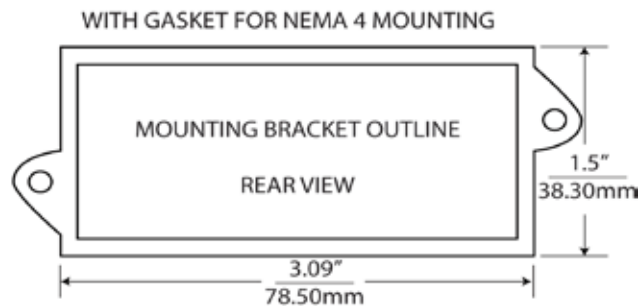
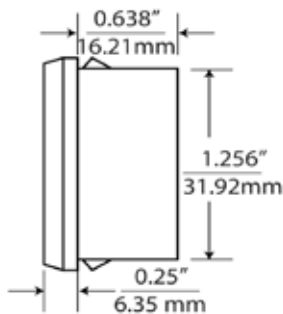
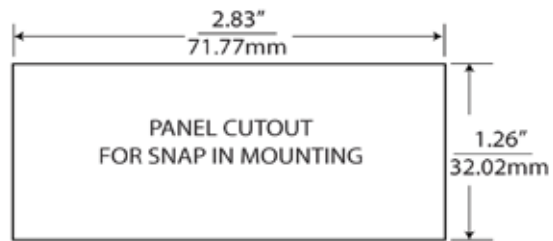
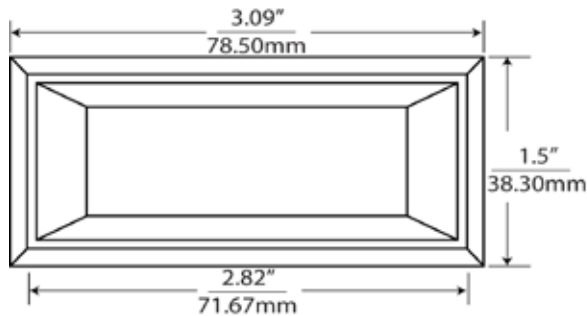
Part #	Backlight Color	Meter Input	Backlight Power
HVPI-4-XEC	NO Backlight	Voltage	12/24VDC
HVPI-4A-XEC	NEG AMBER	Voltage	12/24VDC
HVPI-4G-XEC	NEG GREEN	Voltage	12/24VDC
HVPI-4R-XEC	NEG RED	Voltage	12/24VDC
HVPI-4GP-XEC	POS GREEN	Voltage	12/24VDC



# HVPI-4-XEC Series

## 4.5 Digit LCD Panel Meter

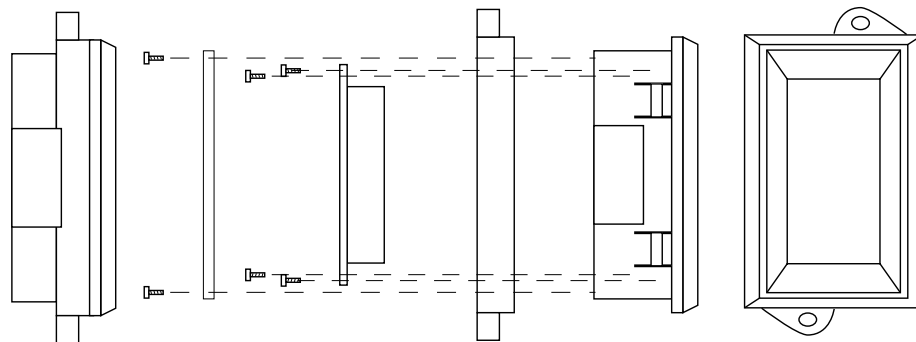
### Dimensions



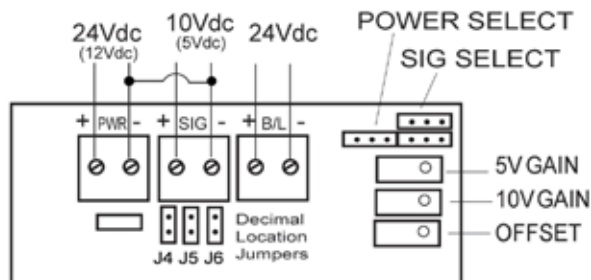
inches  
mm

#### NOTES:

1. Panel thickness is: 0.032"/0.81mm to 0.25"/6.35mm
2. Gasket supplied is: 0.09"/2.25mm thick



### Wiring



#### Decimal Point Selection

1. Locate jumpers J4 through J6 in the middle of the circuit board unit.

2. Jumper the appropriate decimal location as follows:

- |      |         |
|------|---------|
| J4   | - 000.0 |
| J5   | - 00.00 |
| J6   | - 0.000 |
| None | - 0000  |



(13 pin header)



(lower)