



# Model MV15

## Digital Voltmeter



48 x 96mm



### Features

- Class 0.5 accuracy
- True RMS voltage measurement
- Available in LED display
- CE & RoHS certified

### Specifications

#### Display Specifications

Display	7 segment LED Display
Digits	3
Digit Height	0.56" (14.2mm)
Display Range	0 - 516V
Resolution	1V

#### Input Specifications

Electrical Connection	1Ø - 2 wire
Input Type	AC / DC
Continuous Max. Input Rating	516V
Accuracy	±0.5% of F.S
Input Voltage Range	50 - 480V
Overrange Indication "Or" for input >	516V
Frequency Range	50 - 60Hz

#### Electrical specification

Installation category	III
IP protection	IP51 Front Only
High Voltage Test	2kV AC, 50Hz
Sampling Rate	3 samples / second
Dielectric withstand Voltage	2kV AC between auxiliary supply & measuring input
Rated Impulse withstand	Voltage 3.5kV (1.2/50µs)

#### Auxiliary Supply Specifications

Auxiliary Supply	AC: 240V AC ±20% , (50 / 60Hz) 110V AC ±20% , (60Hz)
Supply Frequency	50 / 60Hz
Input Burden	0.5 VA @ 5A AC
Power Consumption	5VA max @ 240V AC

#### Settable Parameters

CT Primary	5A to 10,000A (Programmable for any value)
CT Secondary	5A fixed (External CT must be connected for current more than 5A)
PT Primary	100V to 500kV(Programmable for any value)
PT Secondary	100 to 500V AC (L-L) (Programmable for any value)

#### Environmental Specifications

Temperature	Operating: -10 to +55 C (14°F to 131°F) Storage: -20°C to +75°C (-4°F to 167°F)
Humidity (non-condensing)	Up to 95% RH
Pollution degree	2

#### Mechanical Specifications

Mounting	Panel mount
Weight	170 gms
Bezel size	48 mm x 96 mm
Overall depth	50 mm



# Model MV15

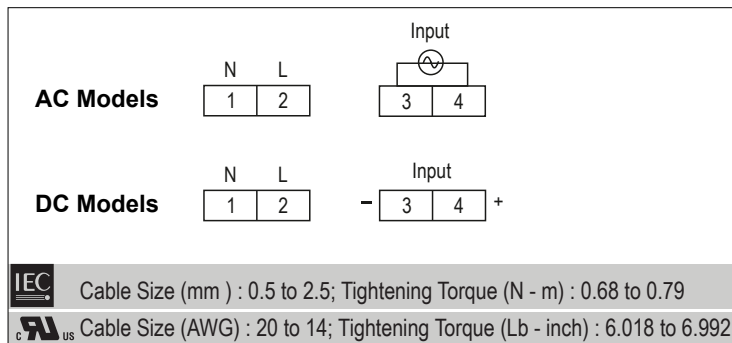
## Digital Voltmeter

### Compliance

Applicable EMI / EMC Standards  
Product Standard : IEC 61326-1

Category	Standards compliance	
ESD Immunity	IEC 61000 - 4 - 2	Level IV (Air Discharge : 15kV), (Contact Discharge : -8kV)
Surge Immunity	IEC 61000 - 4 - 5	+ / - 2kV Common Mode, (Line to Ground) + / - 1kV Differential Mode, (Line to Line)
Radiated Susceptibility	IEC 61000 - 4 - 3	Level III, 80 to 1000MHz(10V / m) Level II, 1.4GHz to 2GHz (3V / m) Level I, 2GHz to 2.7GHz (1V / m)
Conducted Susceptibility	IEC 61000 - 4 - 6	Level II (3V / m)
Voltage Dips and Interruptions	IEC 61000 - 4 - 11	Dips : 0% residual voltage / 1 cycle (Criteria B), 40% residual voltage / 10 cycles 50Hz / 12 cycles 60Hz (Criteria C) 70% residual voltage / 25 cycles 50Hz / 30 cycles 60Hz (Criteria C) Interruptions : 0% residual voltage / 250 cycles 50Hz / 300 cycles 60Hz (Criteria C)
Conducted Emission	CISPR - 11	
Radiated Emission	CISPR - 11	
Electrical Fast Transient	IEC 61000 - 4 - 4	Level III (2kV)

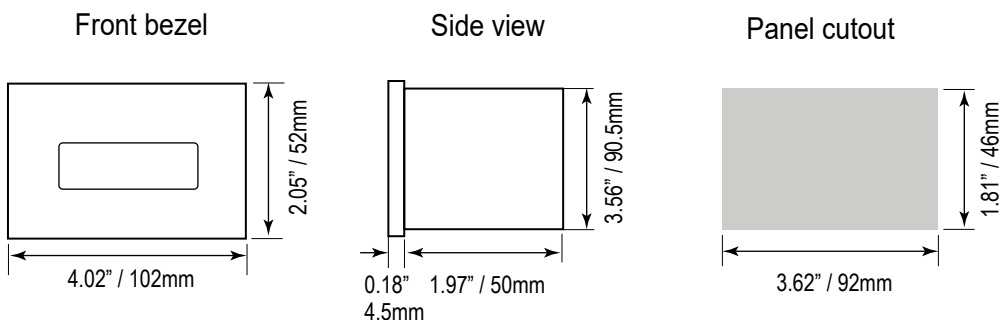
### Terminal Connection



### Ordering Information

Product code	Supply voltage	Certification
MV15	230V AC	---
MV15-230V-CE	230V AC	CE RoHS
MV15-CU	230V AC	CE RoHS & UL
MV15-DC-200V-110V-CU	110V AC	CE RoHS & UL
MV15-110V-CU	110V AC	CE RoHS & UL

### Dimensions



**Hoyt Electrical Instrument Works, Inc.**

23 Meter Street  
Penacook, NH 03303

Phone: (800) 258-3652

Fax: (603) 753-9592

Email: sales@hoytmeter.com

[www.hoytmeter.com](http://www.hoytmeter.com)