



Changeover Switch 20A-40A

Disconnect Switches



Base mounting switches with single hole mounting

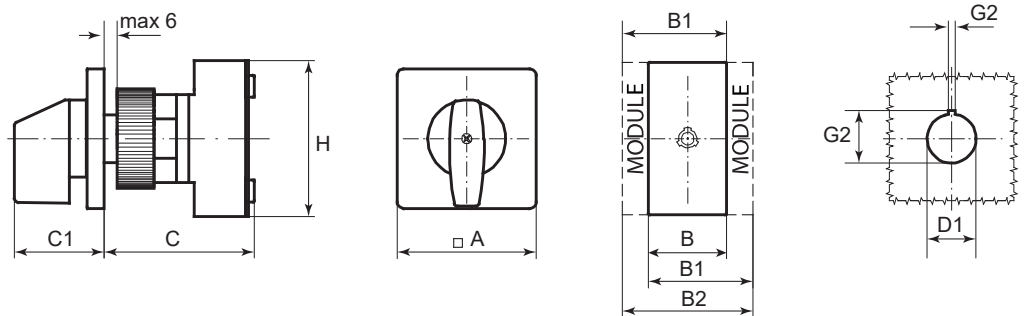
3 up to 4 pole

20 A up to 40 A

IP66

Switching programme	Rated data(IEC 60947)			Mounting dimension (mm)	M-handle silver/black	Padlockable handle V-handle silver/black	Padlockable handle V-handle silver/black
	Operat. current I _n	Operational power (at 380–440 V)			IP66	IP66	IP66
	AC-21A (A)	AC-23A (kW)	AC-3 (kW)		Order code number	Order code number	Order code number
71300 – 3 pole – without auxiliary contacts 	20	5.5	3.7	22.5	H216-71300-214M1	H216-71300-214V1	H216-71300-213V1
	20	5.5	3.7	30.5	H216-71300-204M1	H216-71300-204V1	H216-71300-203V1
	25	7.5	5.5	22.5	H220-71300-214M1	H220-71300-214V1	H220-71300-213V1
	25	7.5	5.5	30.5	H220-71300-204M1	H220-71300-204V1	H220-71300-203V1
	32	11	7.5	22.5	H226-71300-214M1	H226-71300-214V1	H226-71300-213V1
	32	11	7.5	30.5	H226-71300-204M1	H226-71300-204V1	H226-71300-203V1
	40	15	11	22.5	H233-71300-214M1	H233-71300-214V1	H233-71300-213V1
	40	15	11	30.5	H233-71300-204M1	H233-71300-204V1	H233-71300-203V1
71500 – 4 pole – without auxiliary contacts – neutral contact – early make/late break – neutral jumper 	20	5.5	3.7	22.5	H216-71500-214M1	H216-71500-214V1	H216-71500-213V1
	20	5.5	3.7	30.5	H216-71500-204M1	H216-71500-204V1	H216-71500-203V1
	25	7.5	5.5	22.5	H220-71500-214M1	H220-71500-214V1	H220-71500-213V1
	25	7.5	5.5	30.5	H220-71500-204M1	H220-71500-204V1	H220-71500-203V1
	32	11	7.5	22.5	H226-71500-214M1	H226-71500-214V1	H226-71500-213V1
	32	11	7.5	30.5	H226-71500-204M1	H226-71500-204V1	H226-71500-203V1
	40	15	11	22.5	H233-71500-214M1	H233-71500-214V1	H233-71500-213V1
	40	15	11	30.5	H233-71500-204M1	H233-71500-204V1	H233-71500-203V1

Dimensions (mm)



Types H216 / H220 / H226 / H233:

Mtg. form	A	B	B1	B2	C	C1	D1	G1	G2	H
203V1	64	72	84	96	83	39	30.5	33	4.8	70
204M1	64	72	84	96	83	39	30.5	33	4.8	70
204V1	64	72	84	96	83	39	30.5	33	4.8	70
213V1	64	72	84	96	83	39	22.5	24.2	3.2	70
214M1	64	72	84	96	83	39	22.5	24.2	3.2	70
214V1	64	72	84	96	83	39	22.5	24.2	3.2	70

Setup of order code number

Type	Switching progr.	Mtg. form
H216	71300	214M1
Order code no.	H216-71300-214M1	

Hoyt Electrical Instrument Works, Inc.

23 Meter Street
Penacook, NH 03303

Phone: (800) 258-3652

Fax: (603) 753-9592

Email: sales@hoytmeter.com

www.hoytmeter.com