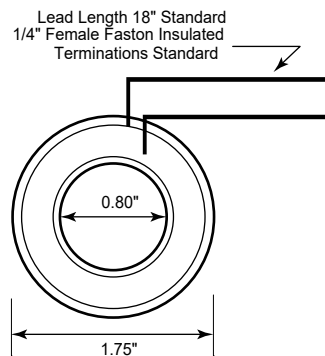




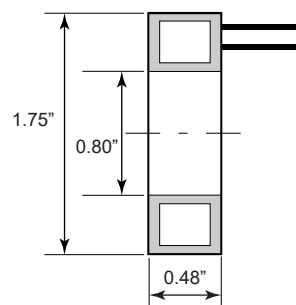
Specifications

Current Range:	100 Amps			
Output Ratio to Input :	1000:1 (100maAC Max)			
Frequency Range:	45-60HZ			
Dielectric Withstand:	1000VAC (RMS)			
Insulation resistance Class:	.5KV			
Primary Current:	10A (RMS)	20A (RMS)	50A (RMS)	100A (RMS)
Secondary Output with 10 Ω Load:	0.1V (RMS)	0.2V (RMS)	0.5V (RMS)	1.0V (RMS)
Fully Encapsulated				
Signal Leads:	Standard Length; 18"			
Wire Size	18GA. 300VAC; Optional 600VAC			
Operating Temperature	-40°C to 80°C			
Accuracy:	± 1% @ 50-60HZ			

Dimensions



Face View



Sectional View