



Model: 781MR

Current Transformer



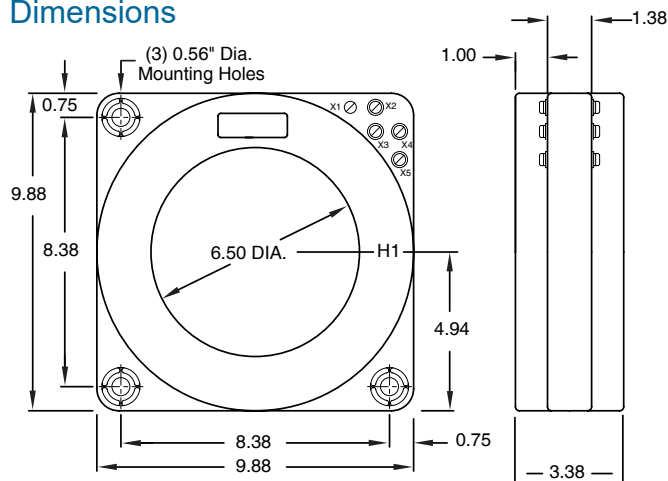
Specifications

Frequency: 50-400 Hz.
 Insulation Class: 0.6kV, 10kV BIL Full Wave
 Window Diameter: 6.5"
 Weight: Approximately 31 Lbs
 Dimensions (W x H x D): 9.88 x 9.88 x 3.38
 Continuous thermal current rating factor: 2.0 at 30°C amb, 1.5 at 55°C amb.
 Connections: Secondary terminals No. 10- 32 brass screws with one flat washer, lock washer, and regular nut.

Application and ordering data

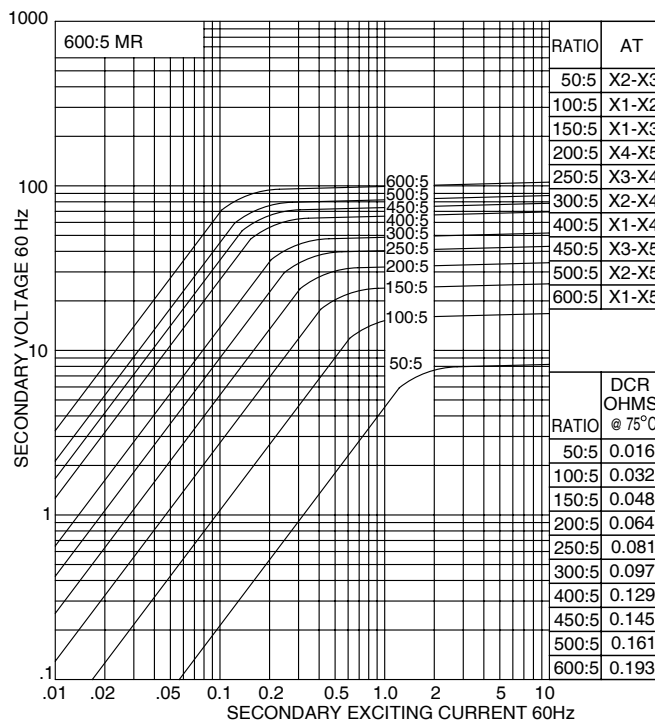
Catalog Number	Relay Class	ANSI Metering Class at 60Hz	Continuous Thermal Rating Factor	
			@ 30°C	@ 50°C
781-601MR	C100	0.3 B0.5	2.0	1.5
781-122MR	C200	0.3 B1.8	2.0	1.5
781-202MR	C200	0.3 B1.8	2.0	1.5
781-302MR	C200	0.3 B1.8	1.33	1.33
781-402MR	C200	0.3 B1.8	1.33	0.8

Dimensions

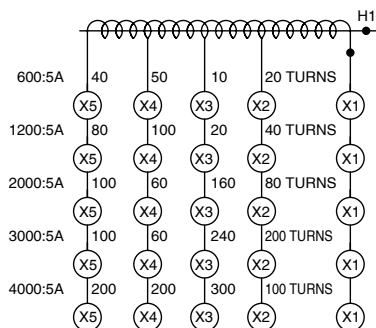


Excitation Curves

MODEL 781-601MR - rating C100



Connections



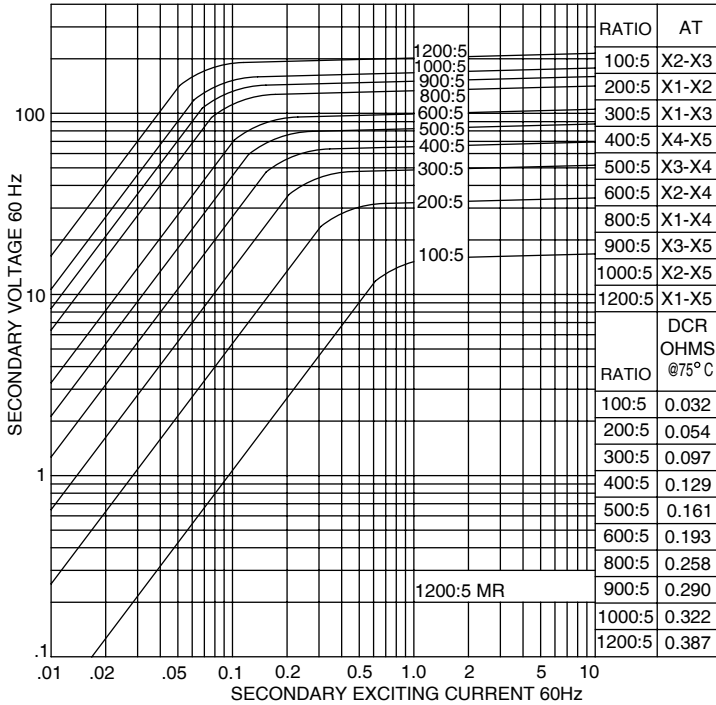


Model: 781MR

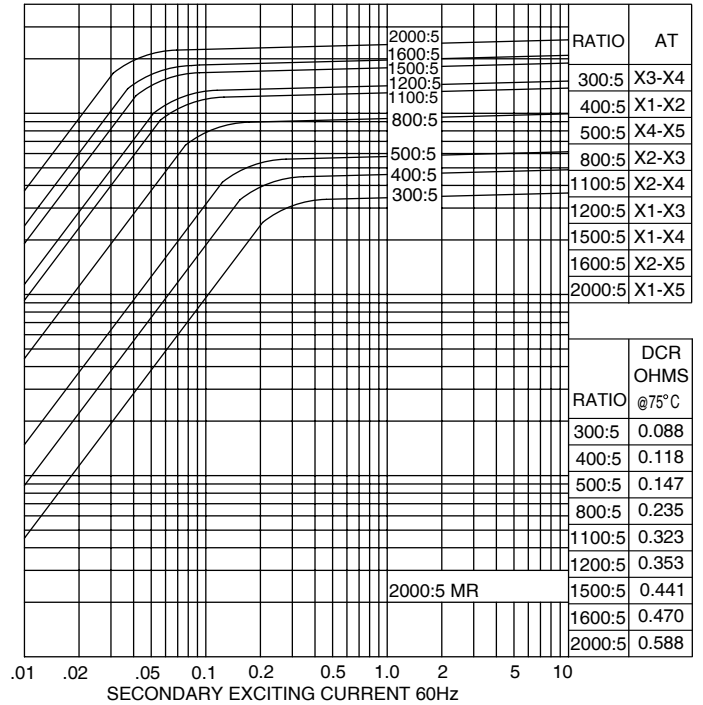
Current Transformer

Excitation Curves

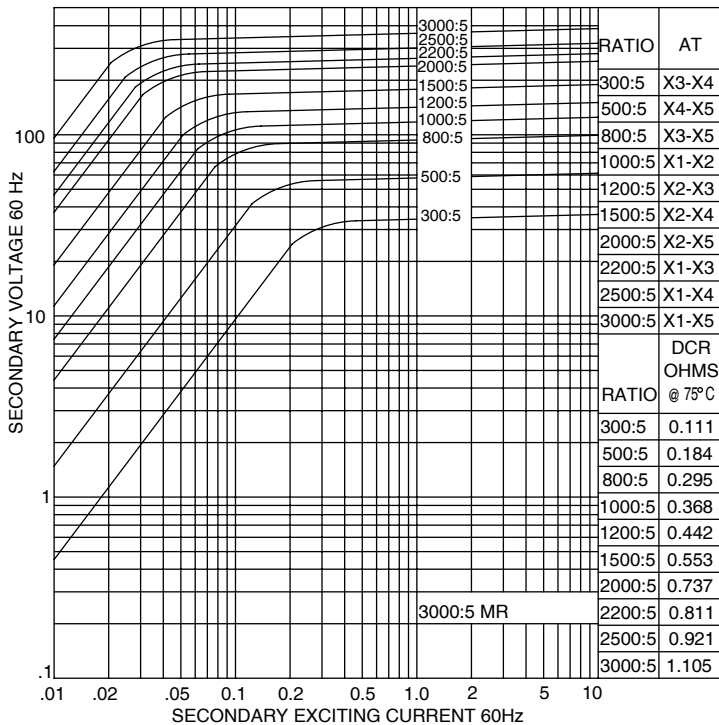
MODEL 781-122MR - rating C100



MODEL 781-202MR - rating C100



MODEL 781-302MR - rating C100



MODEL 781-402MR - rating C100

