

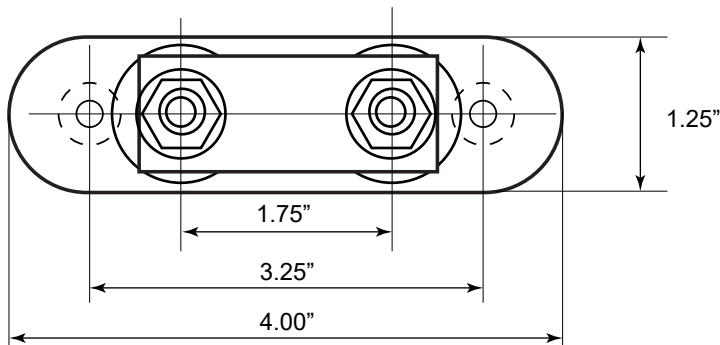


The Hoyt C-8033 Shunt is designed for non electronic applications where extreme accuracy is important. This low cost shunt has an accuracy  $\pm 5\%$ . The extra heavy terminals allow for easy mounting of heavy cables and are molded into a solid phenolic base as a support for a mounting block.

### Specifications

Accuracy:  $\pm 5\%$   
 Weight 1 lbs

### Dimensions



Range Amperes	Terminal Size
25	3/8-16X1-1/8
30	
50	
75	
100	
150	
200	1/2-13X1-5/8
300	

