

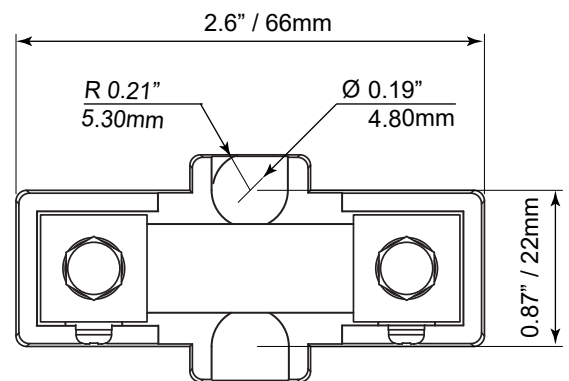
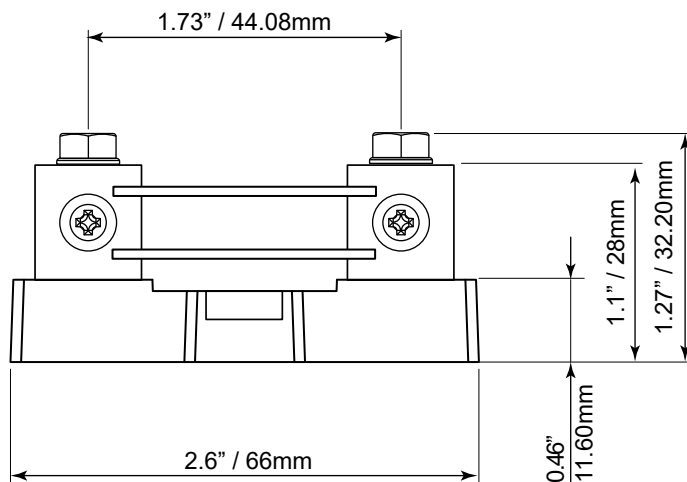


Specifications

- Current rating 5A to 200A.
- 50mV or 100mV or custom output.
- 1/4 UNF brass studs hex jam nut.
- M3 screws provide wire terminal connection.
- Weight: depends on specifications

TYPE LA 50 mV			TYPE LA 100 mV
5 Amp	30 Amp	80 Amp	10 Amp
10 Amp	40 Amp	100 Amp	20 Amp
15 Amp	50 Amp	125 Amp	30 Amp
20 Amp	60 Amp	150 Amp	50 Amp
25 Amp	75 Amp	200 Amp	

Dimensions



Dimensions subject to change without notice.

Tolerances ± 0.15 for the hole diameters. Other tolerances ± 0.30 unless specified.