



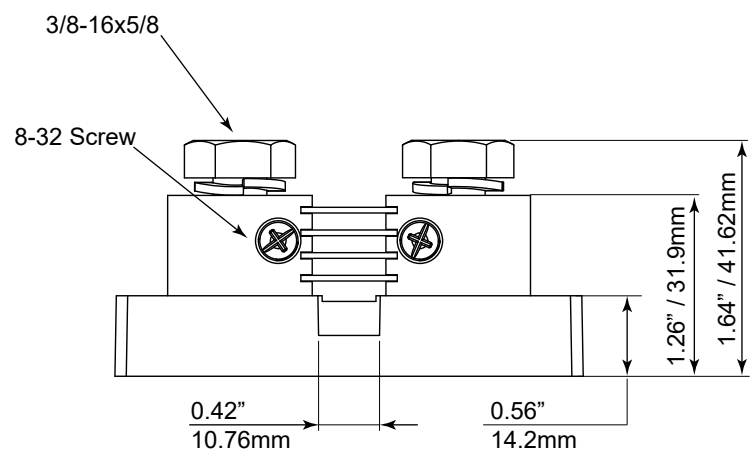
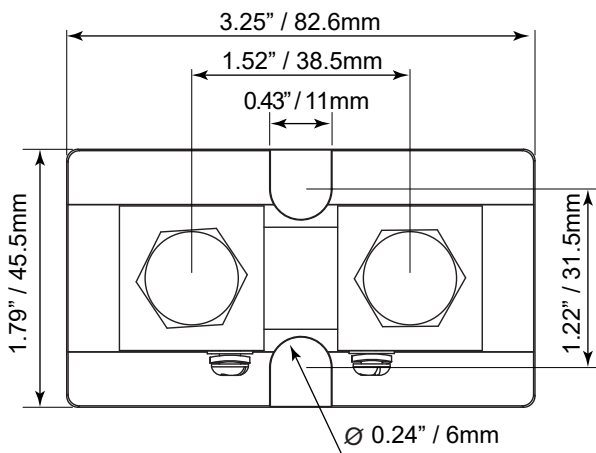
**TYPE LB: 170 through 600 Amperes**

### Specifications

- Current rating 170A to 600A.
- 50mV or 100mV or custom output.
- 3/8-16 x 5/8 Brass Connections with Lock Washers.
- 8-32 Screws provide wire terminal connection.

TYPE LB 50 mV		TYPE LB 100 mV	
LB-170-50,	170 Amp	LB-170-100,	170 Amp
LB-200-50,	200 Amp	LB-200-100,	200 Amp
LB-250-50,	250 Amp	LB-250-100,	250 Amp
LB-300-50,	300 Amp	LB-300-100,	300 Amp
LB-400-50,	400 Amp	LB-400-100,	400 Amp
LB-450-50,	450 Amp	LB-450-100,	450 Amp
LB-500-50,	500 Amp	LB-500-100,	500 Amp
LB-600-50,	600 Amp	LB-600-100,	600 Amp

### Dimensions



Dimensions subject to change without notice.

Tolerances  $\pm 0.15$  for the hole diameter. Other tolerances  $\pm 0.30$  unless specified