



Type LC Base Mounted Shunt

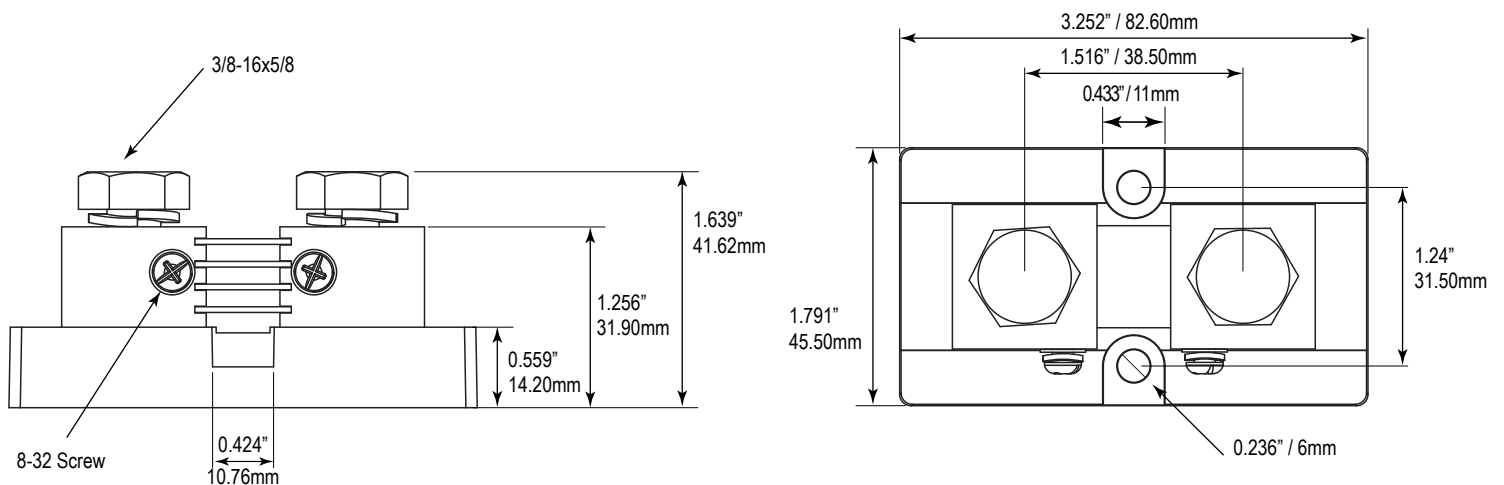
Specifications

Current Rating 800A to 1200A.
50mV or 100mV or Custom output.

3/8-16 x 5/8 Brass Connections with Lock Washers.
8-32 Screws provide wire terminal connection.

TYPE LC 50 mV	TYPE LC 100 mV
LC-800-50, 800 Amp	LC-800-50, 800 Amp
LC-1000-50, 1000 Amp	LC-1000-100, 1000 Amp
LC-1200-50, 1200 Amp	LC-1200-100, 1200 Amp

Dimensions



Dimensions subject to change without notice.

Tolerances $\pm .015$ for the hole diameters. Other tolerances $\pm .030$ unless specified.