



Model 1807 TB

AC/DC Analog Leakage Meter

1807 TB Test box (works with 2108 EL. 506 EL. 507 EL)



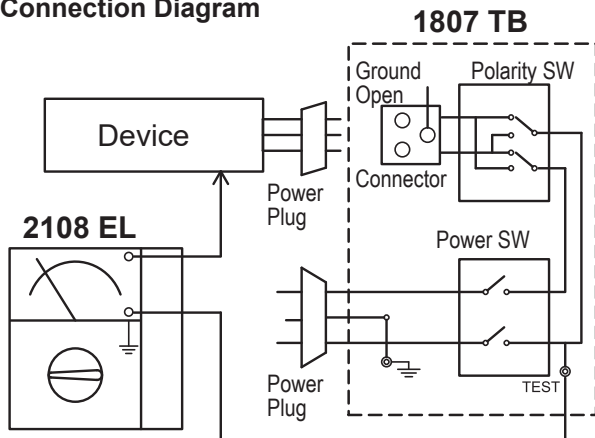
Features

- AC Voltage Input/output range: 100~240 Vac
- Frequency: 50~60Hz
- Current: 10A

Specifications

Current capacity	10Aac(125V)
Withstand voltage	2210Vac for 1 minute between the electric circuit and the case
ACV Input/Output	100~240V 50/60Hz
Dimensions	170(L) x 165(W) x 92(D)mm
Weight	Approx. 820g
Safety standard	EN 61010-1 CAT III 600V

Connection Diagram



How to use

Matching the polarity test box
 Connect the power cord to the power supply.
 Turn the power switch to ON and measure.
 If the voltage between the earth and the TEST terminal of this instrument:

- AC 30V or less : the instrument can be used.
- More than AC 30V : use the accessory 3-2 pin adapter and reconnect the power plug opposite.

1. Set the measuring range selector switch to ACV position of Model 2108 EL.
 Connect the "GROUND" terminal of Model 2108 EL to the "TEST" terminal of Model 1807 TB, then close switch POWER SW.

2. Connect the "LINE" terminal of Model 2108 EL to either of the "CONNECTOR" of Model 1807 TB, and measure the power voltage to check that the voltage is as rated. (If the polarity is opposite, the meter pointer will be zero; in this case use switch POLARITY SW to change the polarity.)

3. Open switch POWER SW, and connect all the simultaneously accessible exposed conductive surfaces of the to-be-tested appliance together to the "LINE" terminal of Model 2108 EL.

4. Input "DEVICE" power plug of the to-be-tested appliance, and turn on all the appliance's switches.

5. Leakage current is not necessarily only in the AC spectrum, therefore set the measuring range selector switch to AC+DC mA range.

6. Close switch POWER SW of Model 1807 TB, and read the meter of Model 2108 EL. This reading will tell you the approximate value of the leakage current.

7. Referring to the value obtained in number 6. above, set the range of the AC mA to the optimum range, and read the meter of Model 2108 EL.

8. Change switch POLARITY SW of Model 2108 EL, read the meter of Model 2108 EL, and use the greater one of the above meter readings as the leakage current value.

9. Set the measuring range selector switch of Model 2108 EL to the DC mA range, and read the meter of Model 2108 EL.

10. Repeat the measurement conducted in number 8.

11. Start operating the appliance. When the appliance has reached its steady operating status, measure its leakage current. When not using the Model 1807 TB Test Box.

Hoyt Electrical Instrument Works, Inc.

23 Meter Street
 Penacook, NH 03303

Phone: (800) 258-3652
 Fax: (603) 753-9592
 Email: sales@hoytmeter.com

www.hoytmeter.com