



Model 2811 LP

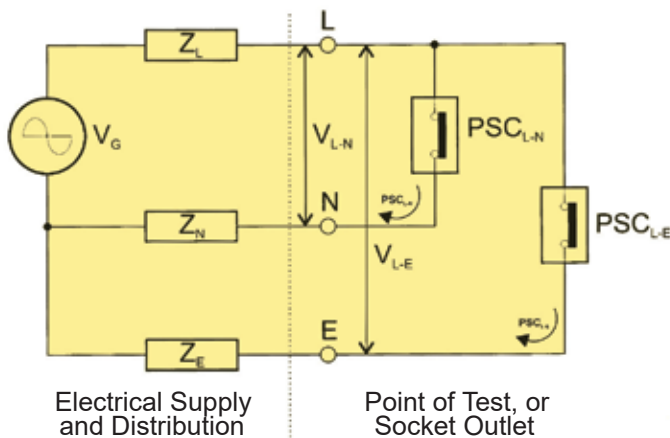
Digital Loop / PSC / Earth Tester



Features

- Microprocessor-controlled.
- Displays and sound warning if external voltage present.
- Displays mains voltage, scroll through menus.
- Checks wiring integrity (LEDs and display).
- Single button operation.
- Auto-off/auto-ranging.
- Combined prospective short circuit current, PSC and LOOP tester.
- Built-in carry case, test leads in separate pouch.
- Loop test for L-E and L-N and PSC.
- Voltage test L-N and L-E.
- Enables analysis of constituent components in L-E and L-N loops giving resistance of earth, neutral wire, live wire and transformer winding.
- Display can be customized for special orders.
- 60Hz available on request.

Fault finding and analyzing the Electrical network



Accessories

- Instruction manual
- Test leads
- Shoulder belt
- Batteries



ISL-2811



BET-2800

Specifications

Loop impedance range L-E, L-N	20/200/2000Ω (auto-range)
Loop impedance test current	12A at 230V / 50Hz
Voltage measurement L-N, L-E	80 to 250V AC/50Hz
Earth wire/path return resistance	20/200/2000Ω (auto-range)
Neutral wire return resistance	20/200/2000Ω (auto-range)
Line wire return resistance & transformer windings	20/200/2000Ω (auto-range)
PSC current (L-N) max	3kA
Operating voltage	230V±20V / 50Hz

Typical Accuracy

Loop impedance	±5%rdg ± 2dgt
PSC current	±20%rdg ± 5dgt
Voltage	±1%rdg ±1dgt
Operating-temperature -humidity	-10°C to +40°C 80% Max. relative humidity
Dimensions	170(L) x 120(W) x 95(D)mm
Weight (battery included)	Approx. 780g
Power source	1.5V (AA) x 8
Safety standard	EN 61010-1 CAT II 250V EN 61326-1

Hoyt Electrical Instrument Works, Inc.

23 Meter Street
Penacook, NH 03303

Phone: (800) 258-3652
Fax: (603) 753-9592
Email: sales@hoytmeter.com

www.hoytmeter.com