



Model 4126 NA

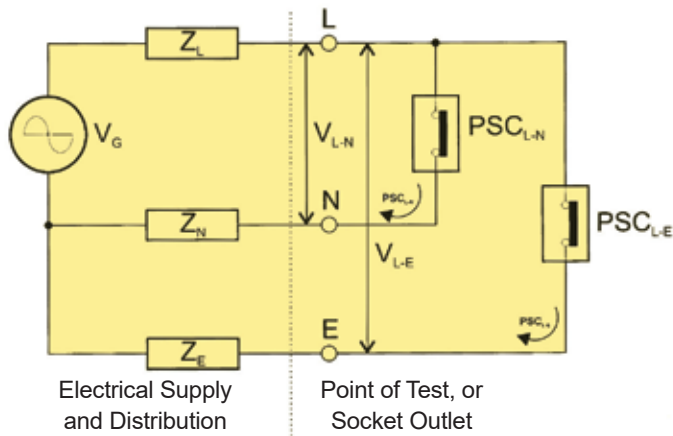
Electrical Network Analyzer



Features

- Microprocessor-controlled.
- 2 Lines × 16 Characters LCD.
- Auto-ranging / Auto-off.
- One Push Button Operation.
- Low Consumption.
- Better than 3% Accuracy(0.05-50Ω).
- Wiring Integrity Check(display + LEDs).
- Over temperature protection and indication.
- Stores previous readings.
- Measures: L-E and L-N AC voltages.
L-E and L-N Loop Impedance.
Prospective short circuits L-E and L-N.
Earth Spike, Line and Neutral Impedances.

Fault Finding And Analyzing The Electrical Network



- VG = Voltage of the generator (supply transformer) (internal impedance of transformer = X-Form)
- ZL = Impedance of the line wire from the transformer, up to the test point (ZL displayed by Instrument also includes X-Form). If this impedance is too high, check the connections of the line wiring, check the quality of the line wiring and the switches / contacts in the line circuit.
- ZN = Impedance of the neutral wire from the transformer, up to the test point. If this impedance is too high, check the connections of the neutral wiring, check the quality of the line wiring and the switches or contacts in the neutral circuit.
- ZE = Impedance of the earth wire, including the earth impedance itself, as seen by the protection system. similar checking, specially at the bounding points should be done is this path impedance is too high.

Specifications

Loop / Earth / Wires	0.03-2000Ω (auto-ranging)
Prospective short circuit	0~6kA at 230Vac
Operating voltage	50V~275Vac (50Hz)
Best performance at rated voltage	230Vac ± 20V Max.10A
Accuracy of voltage	±1%(210~250V) ±3% otherwise
Accuracy of loops / earth	±2% (0.05~50Ω) / ±3% (50~500Ω)
Accuracy of wires impedances	±15% (above 500Ω)
Operating-temperature	0°C to 40°C
Operating-humidity	80% Maximum
Dimensions	250(L) × 190(W) × 110(D)mm
Weight (battery included)	Approx. 1500g
Power source	1.5V (AA) × 8
Safety standard	EN 61010-1 CAT III 300V EN 61326-1

Accessories

Instruction manual	AL-34B
Test leads	
Carry Case	
Batteries	BET-2800

