



Model H305 SVD

Safety Voltage Detector



Features

- Bright LED visual indication
- Audible indication
- AC voltage detection: 100Vac ~ 69kVac
- Frequency range: 40 ~70Hz
- Easy-to-prove method
- Self-test function
- Power source: 9V alkaline battery
- Non-contact detection by proximity
- Convenient to use
- Lightweight, robust and compact
- Easy access to battery
- Comply with EN 61326-1

Specifications

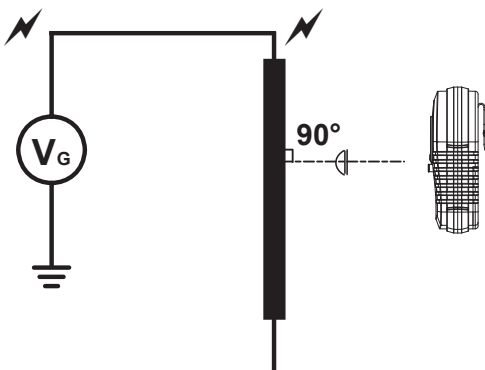
• AC Voltage detection	100Vac ~ 69kVac
• Frequency range	40/70 Hz
• Operating temp./ humidity	0°C ~ 40°C / 80% R.H. Max.
• Sound level	> 99 dB
• Weight (battery included)	Approx. 153g
• Dimension	100(L) × 71(W) × 40(D)mm
• Power source	9V Alkaline battery
• Safety standard	EN 61326-1
• Accessories	Instruction Manual, Soft pouch, Batteries.

H305 SVD is an instrument designed to alert users that they are approaching live equipment where dangerous voltage is present.

The safety voltage detector helps the user stay a safe distance away from live equipment. It therefore protects and safeguards users from approaching dangerous live high voltage equipment or cables.

It's a new safety voltage detector for checking the presence of AC high voltages and low voltages. The voltage detection is from 100Vac to 69kVac.

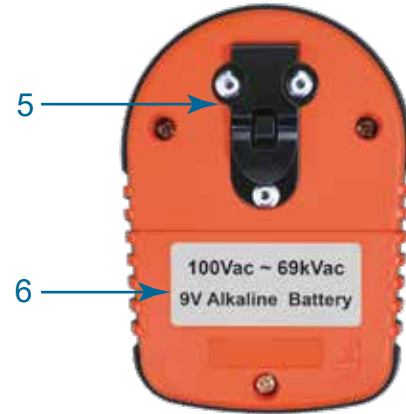
The ideal detection angle





Model H305 SVD

Safety Voltage Detector



- | | | | |
|---|-------------------|---|---------------|
| 1 | Buzzer | 5 | Clip |
| 2 | Visual alert LEDs | 6 | Battery cover |
| 3 | ON/OFF switch | 7 | Soft pouch |
| 4 | SELF TEST button | 8 | Lanyard |



Please remember to put the H305 SVD into the soft pouch before doing the voltage detection.

Put the safety voltage detector on your chest with the lanyard around your neck