

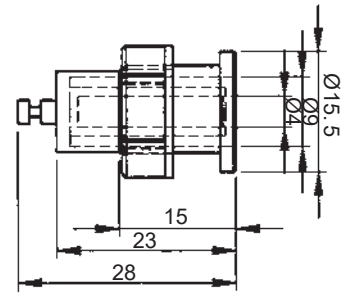


# TER-6200, TER-205, TER-305, TER-2000

## Terminals

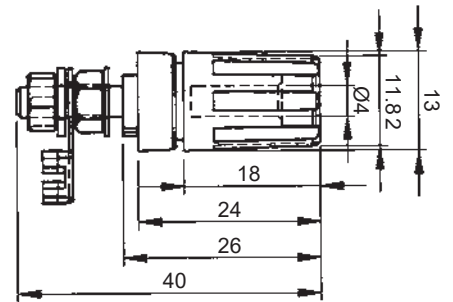
### TER-6200

- Sockets nylon  
4 m/m sockets with shrouded contact compatible with shrouded plugs and leads supplied with nuts for panel mounting.
- TER-6200B Black  
TER-6200R Red  
TER-6200G Green



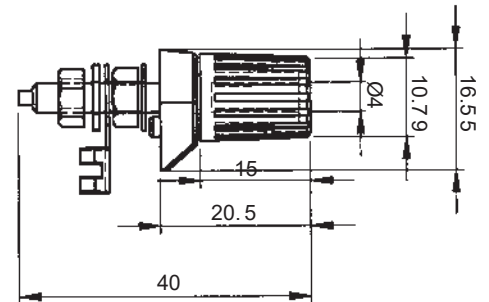
### TER-205

- 4 m/m sockets with insulated head and base for installation in unit.
- ABS resin head.
- TER-205B Black  
TER-205R Red



### TER-305

- 4 m/m banana socket captive head suitable for wire or pin-type test head bakelite material head and base.



### TER-2000

- 5 m/m captive head suitable for wire or pin-type test head bakelite material base.

