



502, 503 Series

Elapsed Time Meters

Mechanical

2.5" 502 HRM
3.5" 503 HRM



LCD

2.5" 502 HRD
3.5" 503 HRD



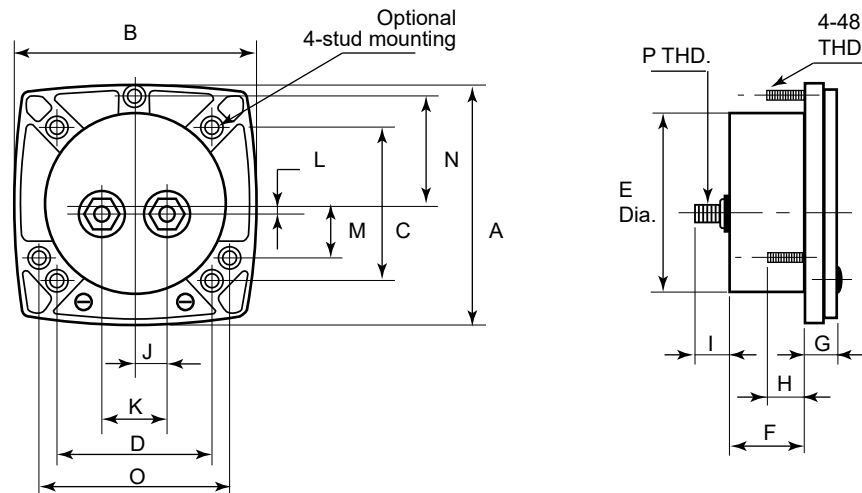
The solid state electronic drive circuitry effects longer life with no motor and less moving parts. Electronic actuation assures accuracy by eliminating delicate springs and mechanical clock mechanisms that can be affected by vibration and temperature.

The Meters are weather resistant: weather Gasket between base and cover to protect the counter. Special Dials are available with the following options: special Legends and Logo.

Specifications

- Accuracy: Matches frequency control of power $\pm 1\%$ Quartz accuracy.
- Ranges: 120, 240 VAC, 50 or 60 Hertz.
- Power Rating: 0.6 watts.
- Vibration Shock: Meets ANSI C39.1
- Display: Easy to read 10,000 or 100,000 hour numeric display.
- Mounting: Surface mount.
- Case: Lexan case construction, brass terminal studs.
- Operating Temperature: -25° to 185° F (-32° to 80° C).

Dimensions



Models	A	B	C	D	E	F	G	H	I	J	K	L	M	N	O	P
502 HRM	2.71	2.71	1.88	1.88	2.08	2.16	0.47	0.50	0.50	0.48	0.97	0.00	0.61	1.22	2.11	1/4-28
503 HRM	3.50	3.50	2.25	2.25	2.60	2.16	0.50	0.50	0.50	0.48	0.97	0.13	0.79	1.58	2.74	1/4-28
502 HRD	2.71	2.71	1.88	1.88	2.08	1.16	0.47	0.50	0.50	0.48	0.97	0.00	0.61	1.22	2.11	1/4-28
503 HRD	3.50	3.50	2.25	2.25	2.60	1.16	0.50	0.50	0.50	0.48	0.97	0.13	0.79	1.58	2.74	1/4-28